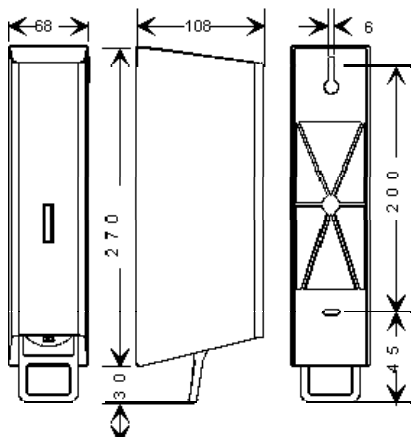


	Dispenser-Systems Washroom - Hygiene	Art.-No. SSS114
---	--	------------------------

➤ ➤ ➤ CBS VIP Line ◀ ◀ ◀

Foam-Soap-Dispenser Jetfoamer 400

Brand:	CBS
Model:	Jetfoamer 400
Article-No.:	SSS114
EAN:	4250496200064
Material:	ABS, white (for stainless steel see art.-no.: SSS124)
Security:	spring lock with key
Refilling:	interchangeable bottle á 400 ml = approx. 999 portion
Back-up reservoir:	approx. 111 portion
Special feature:	maintenance-free decontamination filter
Fill level indicator:	visual window
Packaging:	Dispenser packed in an individual carton together with key and mounting material. 25 dispensers packed in a master carton.
Consumables:	Liquid-Foam-Soap, 12 bottles per carton. e.g. article: F400-12-S, F400-12-N, F400-12-M



System:

The dispenser consists out of 3 major parts; the cover with lock, the back plate and the CBS Jetfoamer with integrated back-up reservoir. The interchangeable bottle together with the dispenser makes a complete unit. The air sucked in will go through a maintenance-free decontamination filter and ensures the pressure balance in the interchangeable bottle (only in our system). The filter also prevents the contamination with bacteria and / or fungi. The CBS soap dispenser has a back suction function to avoid dripping. The entire system has fewer components than competing systems and always guarantees a reliable function.

Mounting:

We recommend: approx. 1050 mm floor > lower surface dispenser or if mounted above the wash basin approx. 150 mm wash basin > lower surface dispenser.

Mounting material (incl.):

2 screws 4.5 x 40 mm and 2 plugs (diameter 6 mm).

Dimensions:

W 68 x H 270 x D 108 mm

Art.-No.: SSS114 / EAN: 4250496200064

Consumables:

Liquid-Foam-Soap in 400 ml interchangeable bottles, e.g. made by CBS:

Art.-No. F400-12-S

Art.-No. F400-12-N

Art.-No. F400-12-M