

CBS - Carsten Daus GmbH

Friedberger Str. 35
D - 63452 Hanau (Germany)

CAGE CODE: DL161

LIQUID SOAP DISPENSER

PART NUMBER

CBS154-002 SERIES

COMPONENT MAINTENANCE MANUAL WITH ILLUSTRATED PARTS LIST

Issue: A
Date: May 02/2010

25-40-05

May 02/2010



COMPONENT MAINTENANCE MANUAL
SOAP DISPENSERS
SEIFENSPENDER
CBS154 SERIES

No.: CBS154
 Issue: A
 Date: May 02/2010

RECORD OF REVISIONS

REV. NO.	ISSUE DATE	INSERTED		REASON FOR REVISION
		DATE	BY	
A	MAY 02/2010	MAY 02/2010	CBS	First Issue



COMPONENT MAINTENANCE MANUAL
SOAP DISPENSERS
SEIFENSPENDER
CBS154 SERIES

No. : CBS154
Issue: A
Date: May 02/2010

RECORD OF TEMPORARY REVISIONS

TEMP REV	PAGE NUMBER	ISSUE DATE	BY	DATE REMOVED	BY



COMPONENT MAINTENANCE MANUAL
SOAP DISPENSERS
SEIFENSPENDER
CBS154 SERIES

No.: CBS154
Issue: A
Date: May 02/2010

SERVICE BULLETIN LIST

SERVICE BULLETIN NUMBER	MODIFICATION	INSERTION	
		DATE	BY

TABLE OF CONTENTS

INTRODUCTION	INTRO 1
1. GENERAL	INTRO 1
2. MANUFACTURE	INTRO 1
3. MAINTENANCE POLICY	INTRO 1
4. REVISION SERVICE	INTRO 1
5. SHOP VERIFICATION	INTRO 1
6. WARNING, CAUTION, NOTES	INTRO 2
7. MEASUREMENT UNITS	INTRO 2
8. LIST OF ABBREVIATIONS	INTRO 2
DESCRIPTION AND OPERATION	1
1. GENERAL	1
2. DESCRIPTION	1
3. OPERATION	1
4. TECHNICAL DATA	1
TESTING AND FAULT ISOLATION	1001
1. GENERAL	1001
2. LIST OF POSSIBLE DEFECTS	1001
CLEANING	4001
1. GENERAL	4001
2. PROCEDURE	4001
CHECK	5001
1. GENERAL	5001
REPAIR	6001
1. GENERAL	6001

INTRODUCTION	INTRO 10001
1. GENERAL	INTRO 10001
2. MATERIAL ARRANGEMENT	INTRO 10001
NUMERICAL INDEX	NI 10001
	NI 10006
DETAILED PARTS LIST	DPL 10001
INSTALLATION	13001
A. GENERAL	13001
B. PROCEDURE	13001
SERVICING	14001
1. REFILLING	14001
STORAGE	15001
1. GENERAL	15001



COMPONENT MAINTENANCE MANUAL
SOAP DISPENSERS
SEIFENSPENDER
CBS154 SERIES

No.: CBS154
Issue: A
Date: May 02/2010

LIST OF TABLES

<u>TITLE</u>	<u>TABLE</u>	<u>PAGE</u>
FAULT ISOLATION CHART	TABLE 1001	1001



COMPONENT MAINTENANCE MANUAL
SOAP DISPENSERS
SEIFENSPENDER
CBS154 SERIES

No.: CBS154
Issue: A
Date: May 02/2010

LIST OF ILLUSTRATION

<u>TITLE</u>	<u>FIGURE</u>	<u>PAGE</u>
LIQUID SOAP DISPENSER	FIGURE 1A	10001A-0
HEAD ASSY	FIGURE 2A	10002A-0
BOTTLE	FIGURE 3A	10003A-0

INTRODUCTION

1. GENERAL

This Component Maintenance Manual (CMM) contains maintenance information and Illustrated Parts List (IPL) for the Soap Dispensers installed in aircraft lavatories.

The information is prepared in accordance with Air Transport requirements.

2. MANUFACTURER

The Soap Dispensers are manufactured by:

CAGE CODE: DL161

CBS - Carsten Daus GmbH
Friedberger Str. 35
D-63452 Hanau (Germany)

Telephone: +49 (0) 6181 3040 818
Telefax: +49 (0) 6181 3040 885
E-mail: service@DausCBS.com
Internet: <http://www.dauscbs.com>

3. MAINTENANCE POLICY

The Component Maintenance Manual provides procedures that will enable an approved repairer, who is unfamiliar with the component, to restore the Soap Dispenser to a serviceable condition. These procedures are prepared for the shop mechanic who performs work.

4. REVISION SERVICE

This manual will be updated as required by revisions. Changes to hardware given in service bulletins will be included in this manual with revisions. Configuration changes will be shown in the text by the service bulletin number, i.e. pre SB- and post SB-. Procedures of illustrations not identified by pre SB- or post SB- refers to all configurations.

5. SHOP VERIFICATION

The procedures within this manual have been shop verified by the manufacturer. The sections Testing, Disassembly and Assembly and Storage were verified by actually performing the functions described in these sections.

6. WARNING, CAUTIONS, NOTES

These adjuncts to the text are expressed by the following headings:

WARNING: WARNINGS CALL ATTENTION TO THE USE OF MATERIALS, PROCESSES, PROCEDURES, METHODS OR LIMITS WHICH MUST BE ADHERED PRECISELY TO AVOID DEATH OR INJURY TO PERSONS.

CAUTION: CAUTIONS CALL ATTENTION TO METHODS AND PROCEDURES WHICH MUST BE FOLLOWED TO AVOID DAMAGE TO EQUIPMENT.

NOTE: NOTES CALL ATTENTION TO METHODS WHICH MAKE THE JOB EASIER.

7. MEASUREMENT UNITS

All the units in this manual are metric with English equivalents shown in brackets. Units of temperature are in degree Celsius, Fahrenheit shown in brackets.

8. LIST OF ABBREVIATIONS

ASSY	ASSEMBLY
C	CELSIUS
cm	CENTIMETER
CMM	COMPONENT MAINTENANCE MANUAL
DES	DESCRIPTION AND OPERATION
Det	DETAILS
EFF	EFFECTIVE
F	FAHRENHEIT
FIG	FIGURE
FWD	FORWARD
in	INCH
IPL	ILLUSTRATED PARTS LIST
kg	KILOGRAMM
lb	POUND
LH	LEFT HAND
max.	MAXIMUM
mm	MILLIMETER
NHA	NEXT HIGHER ASSY
NO.	NUMBER
REF	REFERENCE
RH	RIGHT HAND
SB	SERVICE BULLETIN

DESCRIPTION AND OPERATION

1. GENERAL

This section has description and operation information for the Liquid Soap Dispenser.

WARNING: IN ORDER TO GUARANTEE MAXIMUM PERFORMANCE OF THE LIQUID SOAP DISPENSER, USE ONLY LIQUID CREME SOAP OR SHAMPOO. DO NOT USE INDUSTRIAL SOAPS OR SOAP WITH ABRASIVE OR SOLVENTS. LIQUID SOAP MUST HAVE NA₂CO₃-SHARE < 1 % AND BE FREE OF ALCOHOL AND AROMATIC COMPOUNDS. WE RECOMMEND TO USE ONLY THE ORIGINAL APPROVED SOAP MANUFACTURED BY CBS - CARSTEN DAUS GMBH.

2. DESCRIPTION

- A. The Liquid Soap Dispenser, herein referred to as the unit, is installed in aircraft lavatories. The unit is mounted on the lavatory cabinet surface; the soap container is mounted in the cabinet. At standard installation, the soap container is mounted vertically below the dispenser.
- B. The visible parts are chromium plated.
- C. All parts with the same part number are completely interchangeable with respect to fit, form and function.
- D. The Liquid Soap Dispensers consist mainly of 2 parts:
 - Head Assy (faucet/pump) which is mounted on the counter top
 - Bottle (1000 ml)

3. OPERATION

The soap will be pumped through the outlet by pushing the pump top. Single-hand operation of the unit is possible.

4. TECHNICAL DATA

A. Filling capacity

The unit is available with a filling capacity of:

- approx. 1,00 l (33.81 oz.) for approx. 1000 - 1300 washings

B. Weight

Weight Soap Dispenser complete:

CBS154-002 0,450 kg (0.992 lb)

TESTING AND FAULT ISOLATION

1. GENERAL

- A. This section contains testing and fault isolation for the Liquid Soap Dispenser.
- B. The procedures given below must be completed if a failure is found with Liquid Soap Dispenser during use, or to make sure that the unit is serviceable before it is put into or put back into service.
- C. Carry out all procedures in a clean area to avoid scratches or other damages of any part.
- D. Numbers in parenthesis following item names in the procedures refer to the figures and item numbers in page-block 10001, ILLUSTRATED PARTS LIST.
- E. Make a visual inspection of the Liquid Soap Dispenser as detailed in page-block 5001, CHECK.

2. LIST OF POSSIBLE DEFECTS

NOTE: Ensure that soap container is filled. If the unit does not discharge any soap and defects listed below are not determinable, check that the unit contains the recommended soap (Refer to chapter SERVICING).

FAULT	PROBABLE CAUSE	CORRECTION ACTION
NO, OR INSUFFICIENT SOAP DISCHARGE	A. CONNECTION BETWEEN HEAD ASSY AND TUBE IS LOOSE	- CONNECT TUBE WITH THE HEAD ASSY
	B. CONNECTION BETWEEN HEAD ASSY AND TUBE IS DEFECTIVE	- REPLACE TUBE
	C. TUBE TOO SHORT	- REPLACE TUBE
	D. TUBE TOO LONG	- CUT TUBE TO OR INSTALL TUBE WITH CORRECT LENGTH AND NOTCH AT THE LOWER END

FAULT ISOLATION CHART
 TABLE 1001

CLEANING

1. GENERAL

A. List of Materials, Tools and Fixtures

WARNING: THE INSTRUCTIONS FOR USING THE MATERIALS HAVE TO BE OBSERVED (REFER TO THE CORRESPONDING MATERIAL SUPPLIER'S INSTRUCTIONS).

NOTE: Equivalent substitutes can be used for listed items.

MATERIAL	SPECIFICATION	SOURCE
CLEAN WATER		LOCAL PURCHASE
ALCOHOL		LOCAL PURCHASE

CLEANING MATERIALS
TABLE 4001

2. PROCEDURE

CAUTION: TO PREVENT DAMAGE OR DISTORTION OF THE UNIT DO NOT USE ABRASIVE CLEANERS.

NOTE: Cleaning must be carried out after 18 months.

- A. Clean the Head Assy by pumping clean water through the unit.
- B. Clean the Soap Bottle by filling it with clean water and shaking the Soap Bottle several times. Repeat this procedure twice.

CHECK

1. GENERAL

A. Procedure

- (1) Check all parts of the unit visually. Parts which are defective, broken or deformed have to be replaced.

REPAIR

1. GENERAL

No special repair procedure is applicable. Defective parts must be replaced.



COMPONENT MAINTENANCE MANUAL
SOAP DISPENSERS
SEIFENSPENDER
CBS154 SERIES

No. : CBS154

Issue: A

Date: May 02/2010

ILLUSTRATED PARTS LIST

I PL-TP
PAGE 10001

25-40-05 May 02/2010
Page: 16 of 31

INTRODUCTION

1. GENERAL

This IPL contains the complete listing of all replaceable parts of the Liquid Soap Dispenser.

2. MATERIAL ARRANGEMENT

A. This IPL comprises the following sections:

(1) Introduction

The introduction contains all explanatory information for the individual sections as is necessary for use of this IPL. The introduction further contains a list of abbreviations used in detailed parts list as well as a list of manufacturer's codes together with manufacturer's names and addresses.

(2) Numerical Index

(a) This section contains a listing of part numbers of all items listed in the detailed parts list in alpha/numerical sequence with cross-reference to respective Fig./Item Nos. as well as units per assy. The order of precedence in beginning the part number arrangement at the left-hand (first) position is as follows:

- letters A through Z (except ,0' to be considered zero),
- numerals 0 through 9.

(b) For subsequent rows, the order is:

- a dash (-),
- letters A through Z (except ,0' to be considered zero),
- numerals 0 through 9.

(3) Detailed Parts List

(a) Column FIG. ITEM

The first number in the first line of a page indicates the number of the figure illustrating the part. The second number indicates the item number by which the part is identifiable on the illustration. A dash (-) placed before the item number indicates the part is not illustrated.

(b) Column PART NUMBER

The part number column contains the original manufacturer's part number. When standard parts are used, the standard part number is listed in this column.

1 CBS - Carsten Daus GmbH's Part Number Arrangement

Example:

CBS154-002

CBS154 ----- Model number

002 ----- Piston length 101,6 mm (4.0 in.)

(c) Column AIRLINE STOCK NUMBER

This column is left blank for airline internal use.

(d) Column IND

The indenture system shows the relationship of parts and assemblies to next higher assemblies or installations as follows:

IND

- 1 Assembly or installation assembly RF number.
- 2 Detail parts of assembly or sub-assembly.
- 3 Detail parts of sub-assembly or sub-sub-assembly.
- 4 etc.

(e) Column NOMENCLATURE

1 Attaching parts

Attaching parts are captioned ATTACHING PARTS and are listed immediately following the parts attached.

The *** symbol follows the last item of the attaching parts group. Column EFF CODE

2 Cage (Vendor) Code

Parts manufactured by companies other than CBS-Carsten Daus GmbH are identified by an appropriate cage (vendor) code following the nomenclature. Vendor codes are in accordance with current issues of Federal Supply Codes for Manufacturers Cataloging Handbooks H4-1, H4-2 and H4-3, and are preceded by the letter „V“. Standard parts such as An, MS etc. are not identified by a vendor code.

(f) Column EFF CODE

The Effectivity Code column establishes a part relationship with units or assemblies which are essentially the same but have minor deviations. These units or assemblies are assigned reference letters such as A, B, C etc. Parts which are not common to all configurations but are associated with one or more of the coded lead items, carry the letter or letters assigned to the lead item with which it is associated. Where a part is common to all lead items, the effectivity column is left blank.

(g) Column UNITS PER ASSY

This column contains the quantity of a specific catalog sequence numbered part required in the build sequence of only one (where more than one exists) next higher sub-sub-assembly, sub-assembly, assembly or installation level as applicable. For bulk items, the letters "AR" are inserted in the quantity column to indicate "as required". Where items are listed for reference purpose, "RF" is inserted.

(4) Explanation of Terms and Symbols

- (a) Part numbers with more than 15 characters require the introduction of a dummy part number with a cross-reference to the over length part number. This will be shown in the detailed parts list as follows:
"OPN xxxxxxxxxxxxxxxx (Vx)
- (b) Part numbers amended with a capital letter (shown in the nomenclature column) means that this equipment is improved without any change to the operational effect.
- (c) The term "REPLD BY" means that the part in the part number column is replaced by and is interchangeable with the part number shown in the notation.
- (d) The term "REPL" means that the part in the part number column replaces and is interchangeable with the part number shown in the notation.
- (e) The term "ALT" means that the part is an alternative for another part with equal value, weight, dimension, etc. Can be noted with certain specifications or completely interchangeable.

- (f) The term "IND" means that the part is completely equal to other variants listed without any differing specifications. It may be used in any instance where the alternate part is referenced.
- (g) The term "NP" means that the part is not procurable. Order next higher assembly.

(5) List of Abbreviations

The following abbreviations are used in this IPL:

Abbreviation

ALT	ALTERNATE PART NUMBER
AR	AS REQUIRED
ASSY	ASSEMBLY
BKDN	BREAKDOWN
DET	DETAIL
EFF	EFFECTIVE/EFFECTIVITY
FIG	FIGURE
IN	INCH
IND	INDENTURE
IPL	ILLUSTRATED PARTS LIST
L	LITER
MM	MILLIMETER
NHA	NEXT HIGHER ASSEMBLY
NO	NUMBER
NOS	NUMBERS
NP	NOT PROCURABLE
OPN	OVERLENGTH PART NUMBER
OPT	OPTIONAL PART NUMBER
PNR	PART NUMBER
REPLD	REPLACED
REPLS	REPLACES
REQ	REQUIRED
RF	REFERENCE
SUPSD	SUPERSEDED
SUPSDS	SUPERSEDES
TTL	TOTAL
V	VENDOR

- (6) List of Vendors
Not applicable



COMPONENT MAINTENANCE MANUAL
SOAP DISPENSERS
SEIFENSPENDER
CBS154 SERIES

No.: CBS154
Issue: A
Date: May 02/2010

NUMERICAL INDEX

PART NUMBER	AIRLINE STOCK NO.	FIG	ITEM	TTL REQ
CBS154-002		01A	001A	1
CBS154-052		01A	005A	1
CBS154-102		01A	015A	1
CBS154-152		03A	001A	1
CBS154-202		01A	020A	1
CBS154-230		02A	005A	1
CBS154-416		02A	010A	RF



COMPONENT MAINTENANCE MANUAL
SOAP DISPENSERS
SEIFENSPENDER
CBS154 SERIES

No. : CBS154

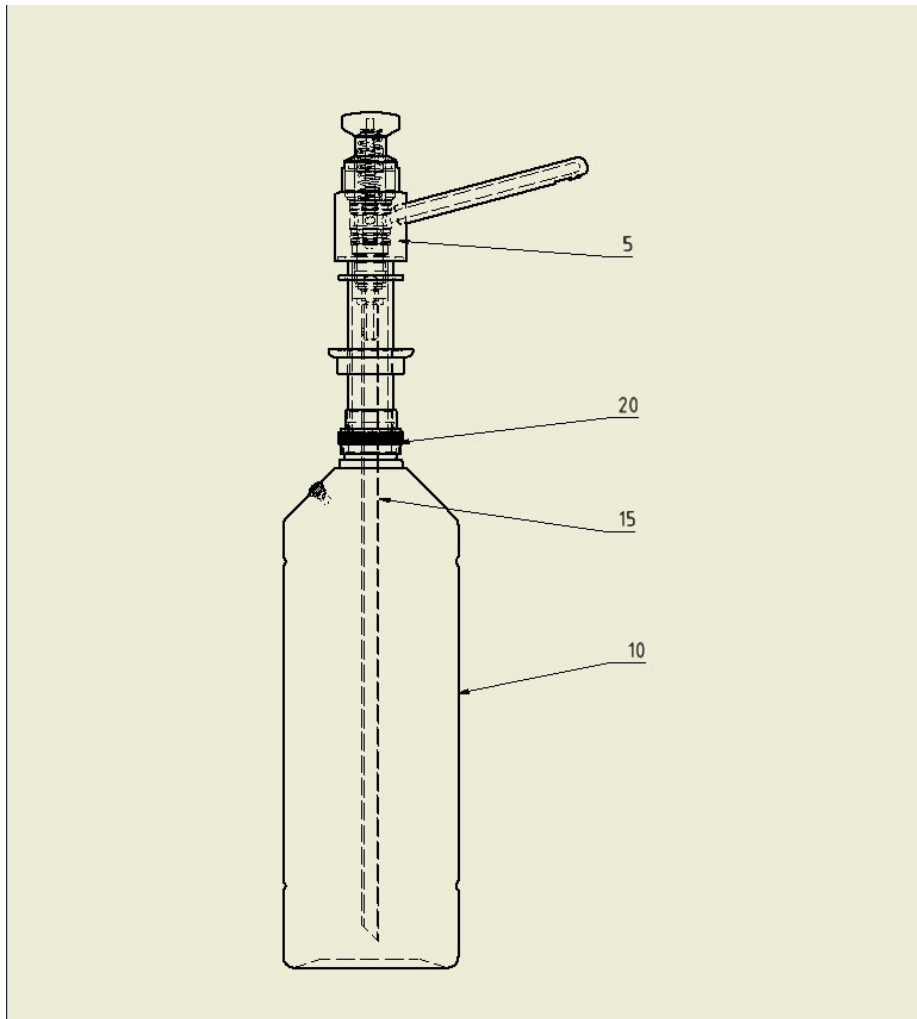
Issue: A

Date: May 02/2010

DETAILED PARTS LIST

DPL
PAGE 10001

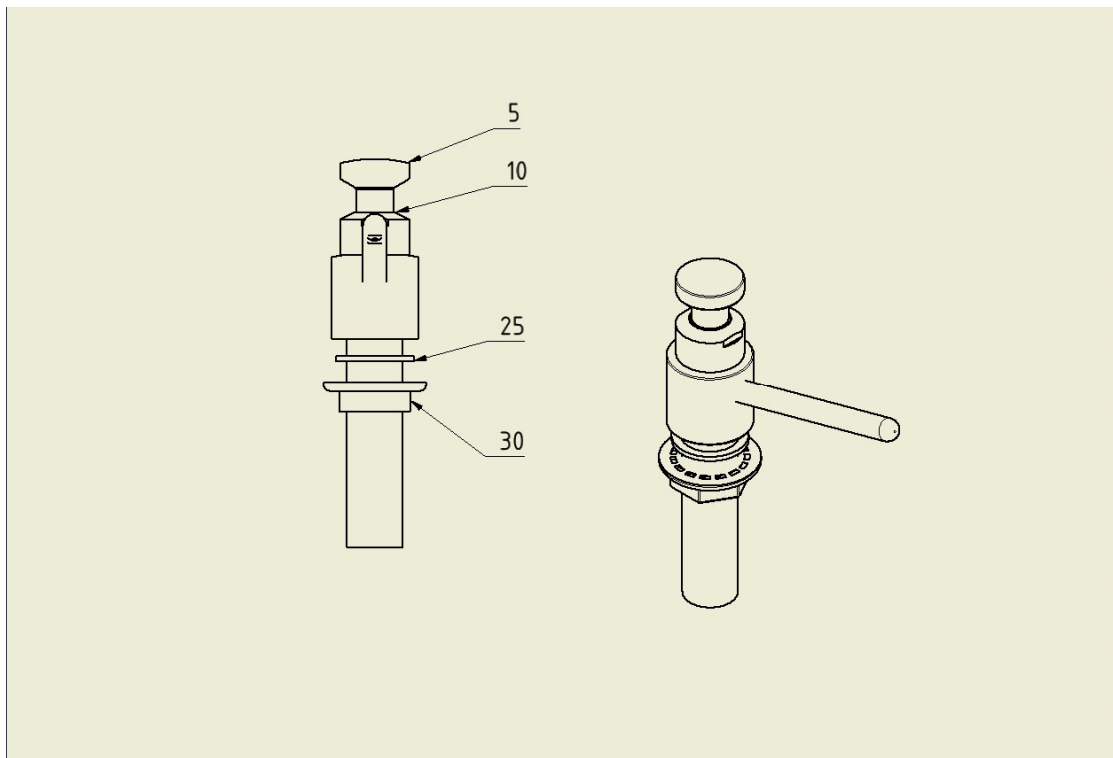
25-40-05 May 02/2010
Page: 22 of 31



LIQUID SOAP DISPENSER
CBS154-002
FIGURE 1A

FIG. ITEM	PART NUMBER	AIRLINE STOCK NUMBER	INDENT	NOMENCLATURE	EFF CODE	UNIT PER ASSY
01A						
005A	CBS154-052		1	HEAD ASSY - SOAP DISPENSER, TABLE MOUNTED	A	1
010A	CBS154-152		1	BOTTLE PLASTIC 1000 ML	A	1
015A	CBS154-102		1	HOSE 270 MM	A	1
020A	CBS154-202		1	NUT	A	1
-030A	CBS154-416		2	REPAIR KIT 8 PCS	A	RF

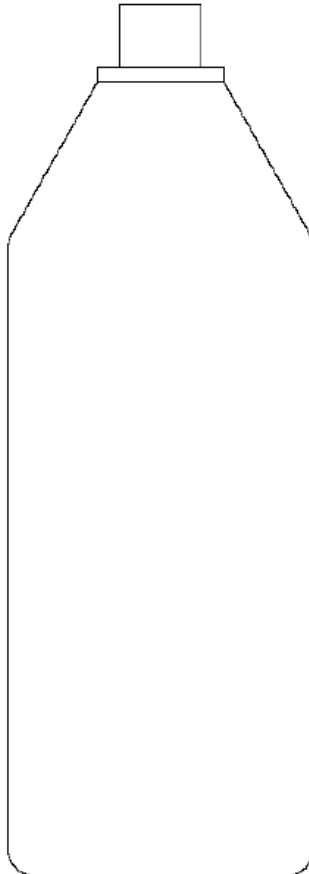
- ITEM NOT ILLUSTRATED



HEAD ASSY
CBS154-052
FIGURE 2A

FIG. I T E M	PART NUMBER	A I R L I N E S T O C K N U M B E R	I N D	N O M E N C L A T U R E	E F F C O D E	U N I T P E R A S S Y
02A						
005A	CBS154-230		1	PUMP - I N L E T	A	1
010A	CBS154-416		1	REPAI R K I T 8 P C S	A	1
025A	CBS154-208		1	S E A L	A	R F
030A	CBS154-200		1	N U T	A	1
-040A	CBS154-102		1	H O S E - 270 M M	A	1

- I T E M N O T I L L U S T R A T E D



BOTTLE
CBS154-152
FIGURE 3A



COMPONENT MAINTENANCE MANUAL
SOAP DISPENSERS
SEIFENSPENDER
CBS154 SERIES

No.: CBS154
Issue: A
Date: May 02/2010

FIG. ITEM	PART NUMBER	AIRLINE STOCK NUMBER	I N D	NOMENCLATURE	EFF CODE	UNIT PER ASSY
-----------	-------------	----------------------	-------	--------------	----------	---------------

03A	003A CBS154-152		1	BOTTLE PLASTIC 1000 ML	A	1
-----	-----------------	--	---	---------------------------	---	---

- ITEM NOT ILLUSTRATED

PAGE
10003A-1

25-40-05 May 02/2010
Page: 28 of 31

INSTALLATION

A. General

NOTE: Before first installation, the location has to be chosen taking into consideration the available space needed to install all parts into the cabinet surface. The diameter of the mounting hole must be 25 mm (1.0 in.)

B. Procedure

(1) Installation of Unit PN CBS154-002

(a) Insert head assy into the mounting hole of the cabinet.

NOTE: Ensure that the outlet of the piston extends over the sink and that it remains in position during further installation.

- (b) Tighten up nut hand tight.
- (c) Install soap bottle onto head assy.
- (d) Tighten up soap bottle hand tight.

SERVICING

1. REFILLING

The unit shall be refilled without removal of the soap bottle.

A. Procedure

- (1) Turn upper part counter clockwise until it has been released.
- (2) Lift inlet/pump with tube from the head assy.
- (3) Refill soap bottle with liquid soap through the head assy.
- (4) Attach inlet/pump with tube to the head assy.
- (5) Secure it by turning clockwise until it stops.

STORAGE

1. GENERAL

A. Storage Instructions

- (1) Place unit in a suitable cardboard box and identify on the outer surface.
- (2) Store in a dry room.