

# **CBS - Carsten Daus GmbH**

Friedberger Str. 35  
D - 63452 Hanau (Germany)

**CAGE CODE: DL161**

## **LIQUID SOAP DISPENSER**

### **PART NUMBER**

**B822 SERIES**

**B823 SERIES**

**B825 SERIES**

**B828 SERIES**

## **COMPONENT MAINTENANCE MANUAL WITH ILLUSTRATED PARTS LIST**

Issue: D  
Date: May 02/2022

**25-40-01**

**May 02/2022**



**COMPONENT MAINTENANCE MANUAL**  
**SOAP DISPENSERS**  
**SEIFENSPENDER**  
**B82X SERIES**

No. : 25-40-01  
 Issue: D  
 Date: May 02/2022

RECORD OF REVISIONS

REV. NO.	ISSUE DATE	INSERTED		REASON FOR REVISION
		DATE	BY	
A	OCT 01/2004	OCT 01/2004	CBS	First Issue
B	AUG 01/2005	AUG 01/2005	CBS	Introduction of additional soap containers.
C	JUL 10/2009	JUL 10/2009	CBS	Complete new revised CMM. Re-introduction of key (lockable) versions and B825 Series
D	May 02/2022	May 02/2022	CBS	CMM revised and following P/Ns were included: B823-40-05-99 B823-40-10-99



**COMPONENT MAINTENANCE MANUAL**  
**SOAP DISPENSERS**  
**SEIFENSPENDER**  
**B82X SERIES**

No. : 25-40-01

Issue: D

Date: May 02/2022

RECORD OF TEMPORARY REVISIONS

TEMP REV	PAGE NUMBER	ISSUE DATE	BY	DATE REMOVED	BY

ROTR  
PAGE 1

**25-40-01**

May 02/2022



**COMPONENT MAINTENANCE MANUAL**  
**SOAP DISPENSERS**  
**SEIFENSPENDER**  
**B82X SERIES**

No. : 25-40-01

Issue: D

Date: May 02/2022

SERVICE BULLETIN LIST

SERVICE BULLETIN NUMBER	MODIFICATION	INSERTION	
		DATE	BY

LIST OF EFFECTIVE PAGES

<u>SUBJECT</u>	<u>PAGE</u>	<u>DATE</u>	<u>SUBJECT</u>	<u>PAGE</u>	<u>DATE</u>
<u>TITLEPAGE</u>			<u>DESCRIPTION AND OPERATION</u>		
TITLE 1	MAY 02/2022			1	MAY 02/2022
<u>RECORD OF REVISIONS</u>				2	MAY 02/2022
ROR 1	MAY 02/2022			3	MAY 02/2022
				4	MAY 02/2022
<u>RECORD OF TEMPORARY REVISIONS</u>				5	MAY 02/2022
ROTR 1	MAY 02/2022			6	MAY 02/2022
				7	MAY 02/2022
				8	MAY 02/2022
<u>SERVICE BULLETIN LIST</u>			<u>TESTING AND FAULT ISOLATION</u>		
SBL 1	MAY 02/2022			1001	MAY 02/2022
<u>LIST OF EFFECTIVE PAGES</u>			<u>DISASSEMBLY</u>		
LEP 1	MAY 02/2022			3001	MAY 02/2022
LEP 2	MAY 02/2022			3002	MAY 02/2022
LEP 3	MAY 02/2022		<u>CLEANING</u>		
<u>TABLE OF CONTENTS</u>				4001	MAY 02/2022
TOC 1	MAY 02/2022		<u>CHECK</u>		
TOC 2	MAY 02/2022			5001	MAY 02/2022
TOC 3	MAY 02/2022		<u>REPAIR</u>		
<u>LIST OF TABLES</u>				6001	MAY 02/2022
LOT 1	MAY 02/2022		<u>ASSEMBLY</u>		
<u>LIST OF ILLUSTRATION</u>				7001	MAY 02/2022
LOI 1	MAY 02/2022			7002	MAY 02/2022
<u>INTRODUCTION</u>			<u>FITS AND CLEARANCES</u>		
INTRO 1	MAY 02/2022			8001	MAY 02/2022
INTRO 2	MAY 02/2022				
INTRO 3	MAY 02/2022				
INTRO 4	MAY 02/2022				

<u>SUBJECT</u>	<u>PAGE</u>	<u>DATE</u>
<u>SPECIAL TOOLS, FIXTURES AND EQUIPMENT</u>		
	9001	MAY 02/2022
<u>ILLUSTRATED PARTS LIST</u>		
I PL-TP	10001	MAY 02/2022
<u>INTRODUCTION</u>		
INTRO	10001	MAY 02/2022
INTRO	10002	MAY 02/2022
INTRO	10003	MAY 02/2022
INTRO	10004	MAY 02/2022
INTRO	10005	MAY 02/2022
<u>NUMERICAL INDEX</u>		
NI	10001	MAY 02/2022
NI	10002	MAY 02/2022
NI	10003	MAY 02/2022
NI	10004	MAY 02/2022
NI	10005	MAY 02/2022
NI	10006	MAY 02/2022
NI	10007	MAY 02/2022
NI	10008	MAY 02/2022
NI	10009	MAY 02/2022
NI	10010	MAY 02/2022
NI	10011	MAY 02/2022
NI	10012	MAY 02/2022
NI	10013	MAY 02/2022
NI	10014	MAY 02/2022
NI	10015	MAY 02/2022
<u>DETAILED PARTS LIST</u>		
DPL	10001	MAY 02/2022
	10001A-0	MAY 02/2022
	10001A-1	MAY 02/2022
	10001A-2	MAY 02/2022

<u>SUBJECT</u>	<u>PAGE</u>	<u>DATE</u>
	10001A-3	MAY 02/2022
	10001B-0	MAY 02/2022
	10001B-1	MAY 02/2022
	10001B-2	MAY 02/2022
	10001C-0	MAY 02/2022
	10001C-1	MAY 02/2022
	10001C-2	MAY 02/2022
	10001C-3	MAY 02/2022
	10001D-0	MAY 02/2022
	10001D-1	MAY 02/2022
	10001D-2	MAY 02/2022
	10001E-0	MAY 02/2022
	10001E-1	MAY 02/2022
	10001E-2	MAY 02/2022
	10001E-3	MAY 02/2022
	10001F-0	MAY 02/2022
	10001F-1	MAY 02/2022
	10001F-2	MAY 02/2022
	10001F-3	MAY 02/2022
	10001G-0	MAY 02/2022
	10001G-1	MAY 02/2022
	10001G-2	MAY 02/2022
	10001G-3	MAY 02/2022
	10001H-0	MAY 02/2022
	10001H-1	MAY 02/2022
	10001H-2	MAY 02/2022
	10001H-3	MAY 02/2022
	10001I-0	MAY 02/2022
	10001I-1	MAY 02/2022
	10001I-2	MAY 02/2022
	10001J-0	MAY 02/2022
	10001J-1	MAY 02/2022
	10001J-2	MAY 02/2022
	10001J-3	MAY 02/2022
	10001K-0	MAY 02/2022
	10001K-1	MAY 02/2022
	10001K-2	MAY 02/2022
	10001K-3	MAY 02/2022
	10001L-0	MAY 02/2022
	10001L-1	MAY 02/2022
	10001L-2	MAY 02/2022

<u>SUBJECT</u>	<u>PAGE</u>	<u>DATE</u>	<u>SUBJECT</u>	<u>PAGE</u>	<u>DATE</u>
	10001L-3	MAY 02/2022			
	10001M-0	MAY 02/2022			
	10001M-1	MAY 02/2022			
	10001M-2	MAY 02/2022			
	10001M-3	MAY 02/2022			
	10002A-0	MAY 02/2022			
	10002A-1	MAY 02/2022			
	10002A-2	MAY 02/2022			
	10003A-0	MAY 02/2022			
	10003A-1	MAY 02/2022			
	10004A-0	MAY 02/2022			
	10004A-1	MAY 02/2022			
<u>SPECIAL PROCEDURES</u>					
	11001	MAY 02/2022			
<u>REMOVAL</u>					
	12001	MAY 02/2022			
	12002	MAY 02/2022			
	12003	MAY 02/2022			
	12004	MAY 02/2022			
<u>INSTALLATION</u>					
	13001	MAY 02/2022			
	13002	MAY 02/2022			
	13003	MAY 02/2022			
	13004	MAY 02/2022			
	13005	MAY 02/2022			
	13006	MAY 02/2022			
	13007	MAY 02/2022			
	13008	MAY 02/2022			
<u>SERVICING</u>					
	14001	MAY 02/2022			
	14002	MAY 02/2022			
<u>STORAGE</u>					
	15001	MAY 02/2022			

TABLE OF CONTENTS

<u>I NTRODUCTI ON</u>	<u>I NTRO 1</u>
1. <u>GENERAL</u>	<u>I NTRO 1</u>
2. <u>MANUFACTURE</u>	<u>I NTRO 1</u>
3. <u>SPARES SUPPORT</u>	<u>I NTRO 1</u>
4. <u>LAYOUT OF MANUAL</u>	<u>I NTRO 2</u>
5. <u>MAINTENANCE POLICY</u>	<u>I NTRO 3</u>
6. <u>REVI SI ON SERVICE</u>	<u>I NTRO 3</u>
7. <u>SHOP VERI FI CATION</u>	<u>I NTRO 3</u>
8. <u>WARNI NG, CAUTI ON, NOTES</u>	<u>I NTRO 3</u>
9. <u>MEASUREMENT UNI TS</u>	<u>I NTRO 3</u>
10. <u>LI ST OF ABBREVIATI ONS</u>	<u>I NTRO 4</u>
<u>DESCRI PTI ON AND OPERATI ON</u>	<u>1</u>
1. <u>GENERAL</u>	<u>1</u>
2. <u>DESCRI PTI ON</u>	<u>1</u>
3. <u>OPERATI ON</u>	<u>2</u>
4. <u>TECHNI CAL DATA</u>	<u>2</u>
<u>TESTI NG AND FAULT I SOLATI ON</u>	<u>1001</u>
1. <u>GENERAL</u>	<u>1001</u>
2. <u>LI ST OF POSSI BLE DEFECTS</u>	<u>1001</u>
<u>DI SASSEMBLY</u>	<u>3001</u>
1. <u>GENERAL</u>	<u>3001</u>
2. <u>PROCEDURE</u>	<u>3001</u>



CLEANING	4001
1. GENERAL	4001
2. PROCEDURE	4001
CHECK	5001
1. GENERAL	5001
REPAIR	6001
1. GENERAL	6001
ASSEMBLY	7001
1. GENERAL	7001
2. PROCEDURE	7001
FITS AND CLEARANCE	8001
1. GENERAL	8001
SPECIAL TOOLS, FIXTURES AND EQUIPMENT	9001
INTRODUCTION	INTRO 10001
1. GENERAL	INTRO 10001
2. MATERIAL ARRANGEMENT	INTRO 10001
NUMERICAL INDEX	NI 10001 NI 10015
DETAILED PARTS LIST	DPL 10001
SPECIAL PROCEDURES	11001
1. NOT APPLICABLE	11001
REMOVAL	12001
A. PROCEDURE	12001
INSTALLATION	13001
A. LIST OF MATERIALS	13001



**COMPONENT MAINTENANCE MANUAL**  
**SOAP DISPENSERS**  
**SEIFENSPENDER**  
**B82X SERIES**

No. : 25-40-01

Issue: D

Date: May 02/2022

B. GENERAL	13001
C. PROCEDURE	13002
SERVICING	14001
1. REFILLING	14001
STORAGE	15001
1. GENERAL	15001



**COMPONENT MAINTENANCE MANUAL**  
**SOAP DISPENSERS**  
**SEIFENSPENDER**  
**B82X SERIES**

No.: 25-40-01

Issue: D

Date: May 02/2022

LIST OF TABLES

<u>TITLE</u>	<u>TABLE</u>	<u>PAGE</u>
FAULT ISOLATION CHART	TABLE 1001	1001
CLEANING MATERIALS	TABLE 4001	4001
TORQUE VALUES	TABLE 8001	8001
INSTALLATION MATERIALS	TABLE 13001	13001

LIST OF ILLUSTRATION

<u>TITLE</u>	<u>FIGURE</u>	<u>PAGE</u>
DIMENSION SOAP CONTAINERS	FIGURE 1	5
DIMENSION PISTON ASSY - B822-23-3	FIGURE 2	6
DIMENSION PISTON ASSY - B822-23-2	FIGURE 3	7
DIMENSION HOLDER - B822-118-1	FIGURE 4	8
LIQUID SOAP DISPENSER	FIGURE 1A	10001A-0
LIQUID SOAP DISPENSER	FIGURE 1B	10001B-0
LIQUID SOAP DISPENSER	FIGURE 1C	10001C-0
LIQUID SOAP DISPENSER	FIGURE 1D	10001D-0
LIQUID SOAP DISPENSER	FIGURE 1E	10001E-0
LIQUID SOAP DISPENSER	FIGURE 1F	10001F-0
LIQUID SOAP DISPENSER	FIGURE 1G	10001G-0
LIQUID SOAP DISPENSER	FIGURE 1H	10001H-0
LIQUID SOAP DISPENSER	FIGURE 1I	10001I-0
LIQUID SOAP DISPENSER	FIGURE 1J	10001J-0
LIQUID SOAP DISPENSER	FIGURE 1K	10001K-0
LIQUID SOAP DISPENSER	FIGURE 1L	10001L-0
LIQUID SOAP DISPENSER	FIGURE 1M	10001M-0
PISTON ASSY	FIGURE 2A	10002A-0
SHANK ASSY	FIGURE 3A	10003A-0
WASTE BOX INSTALLATION KIT	FIGURE 4A	10004A-0
REMOVAL OF B822 SERIES	FIGURE 12001	12001
REMOVAL OF B823 SERIES	FIGURE 12002	12002
REMOVAL OF B828 SERIES	FIGURE 12003	12003
REMOVAL OF WASTE BOX KIT	FIGURE 12004	12004
INSTALLATION OF B822 SERIES	FIGURE 13001	13003
INSTALLATION OF B823 SERIES	FIGURE 13002	13005
INSTALLATION OF B828 SERIES	FIGURE 13003	13007
INSTALLATION OF WASTE BOX KIT	FIGURE 13004	13008
REFILLING OF SOAP CONTAINER	FIGURE 14001	14002



**COMPONENT MAINTENANCE MANUAL**  
**SOAP DISPENSERS**  
**SEIFENSPENDER**  
**B82X SERIES**

No.: 25-40-01  
Issue: D  
Date: May 02/2022

INTRODUCTION

1. GENERAL

This Component Maintenance Manual (CMM) contains maintenance information and Illustrated Parts List (IPL) for the Soap Dispensers installed in aircraft lavatories.

The information is prepared in accordance with Air Transport requirements.

2. MANUFACTURER

The Soap Dispensers are manufactured by:

CAGE CODE: DL161

CBS - Carsten Daus GmbH  
Friedberger Str. 35  
D-63452 Hanau (Germany)

Telephone: +49 (0) 6181 3040 818  
Telefax: +49 (0) 6181 3040 885  
E-mail: service@DausCBS.com  
Internet: <http://www.dauscbs.com>

3. SPARES SUPPORT

The Soap Dispenser is supported by:

CAGE CODE: DL161

CBS - Carsten Daus GmbH  
Friedberger Str. 35  
D-63452 Hanau (Germany)

Telephone: +49 (0) 6181 3040 818  
Telefax: +49 (0) 6181 3040 885  
E-mail: sales@DausCBS.com  
Internet: <http://www.dauscbs.com>

SATAIR A/S  
Amager Landevej 147A  
DK-2770 Kastrup (Denmark)

CAGE CODE: R1120

Phone: +45 3247 0100  
Fax: +45 3251 3434  
AOG Phone: +45 4040 1224  
SITA: CPHSA7X  
info@satair.com  
<http://www.satair.com>

LEKI AVIATION A/S  
Amager Landevej 278  
DK-2770 Kastrup (Denmark)

CAGE CODE: R3867

Phone: +45 3251 9550  
Fax: +45 3251 9551  
AOG Phone: +45 4051 9550  
AOG Email: aog@lekiaviation.com  
info@lekiaviation.com  
<http://www.lekiaviation.com>

#### 4. LAYOUT OF MANUAL

This manual contains 16 chapters. The main chapters are general description and operation followed by data for testing and fault isolation, repair, disassembly and assembly of the Soap Dispenser. This is followed by an Illustrated Parts List which gives detailed breakdown information.

#### 5. MAINTENANCE POLICY

The Component Maintenance Manual provides procedures that will enable an approved repairer, who is unfamiliar with the component, to restore the Soap Dispenser to a serviceable condition. These procedures are prepared for the shop mechanic who performs work.

#### 6. REVISION SERVICE

This manual will be updated as required by revisions. Changes to hardware given in service bulletins will be included in this manual with revisions. Configuration changes will be shown in the text by the service bulletin number, i.e. pre SB- and post SB-. Procedures of illustrations not identified by pre SB- or post SB- refers to all configurations.

#### 7. SHOP VERIFICATION

The procedures within this manual have been shop verified by the manufacturer. The sections Testing, Disassembly and Assembly and Storage were verified by actually performing the functions described in these sections.

#### 8. WARNING, CAUTIONS, NOTES

These adjuncts to the text are expressed by the following headings:

WARNING: WARNINGS CALL ATTENTION TO THE USE OF MATERIALS, ROCESSSES, PROCEDURES, METHODS OR LIMITS WHICH MUST BE ADHERED PRECISELY TO AVOID DEATH OR INJURY TO PERSONS.

CAUTION: CAUTIONS CALL ATTENTION TO METHODS AND PROCEDURES WHICH MUST BE FOLLOWED TO AVOID DAMAGE TO EQUIPMENT.

NOTE: NOTES CALL ATTENTION TO METHODS WHICH MAKE THE JOB EASIER.

#### 9. MEASUREMENT UNITS

All the units in this manual are metric with English equivalents shown in brackets. Units of temperature are in degree Celsius, Fahrenheit shown in brackets.

## 10. LIST OF ABBREVIATIONS

ASSY	ASSEMBLY
C	CELSIUS
cm	CENTIMETER
CMM	COMPONENT MAINTENANCE MANUAL
DES	DESCRIPTION AND OPERATION
Det	DETAILS
EFF	EFFECTIVE
F	FAHRENHEIT
FIG	FIGURE
FWD	FORWARD
in	INCH
IPL	ILLUSTRATED PARTS LIST
kg	KILOGRAMM
lb	POUND
LH	LEFT HAND
max.	MAXIMUM
mm	MILLIMETER
NHA	NEXT HIGHER ASSY
NO.	NUMBER
REF	REFERENCE
RH	RIGHT HAND
SB	SERVICE BULLETIN



## DESCRIPTION AND OPERATION

### 1. GENERAL

This section has description and operation information for the Liquid Soap Dispenser.

WARNING: IN ORDER TO GUARANTEE MAXIMUM PERFORMANCE OF THE LIQUID SOAP DISPENSER, LIQUID SOAP MUST HAVE A VISCOSITY < 30 MPA/S, NACL-SHARE < 1 % AND BE FREE OF ALCOHOL AND AROMATIC COMPOUNDS. WE RECOMMEND TO USE ONLY THE ORIGINAL APPROVED SOAP MANUFACTURED BY CBS - CARSTEN DAUS GMBH.

### 2. DESCRIPTION

NOTE: The piston assembly is interchangeable for all versions.

A. The Liquid Soap Dispenser, herein referred to as the unit, is installed in aircraft lavatories. The unit is mounted on the lavatory cabinet surface; the soap container is mounted in the cabinet. At standard installation, the soap container is mounted vertically below the dispenser.

NOTE: If soap container cannot be installed vertically below the dispenser use a flexible tube of appropriate length to connect the dispenser to the soap container.

B. The piston assy (1-10) and piston (2-10) are made of vanadium steel; cover (2-60) and shank (3-10) are made of ABS-plastic. The cover is chrome-plated.

C. The Liquid Soap Dispensers consist mainly of 3 or 4 parts:

- Piston Assy (faucet/pump) which is mounted on the counter top
- Shank Assy which is installed through a hole in the counter top and supports the Piston Assy
- flexible hose that connects the soap container with the dispenser (except B822 Series)
- Soap Container (250 ml, 500 ml or 1000 ml) and a wall mounted holder (except B822 Series) for the soap container

Part numbers containing the letter "K" are lockable versions.

B822- Series = The soap container is mounted vertically below the dispenser as standard. Available with 2.5" or 4.0" piston spout length, 250 ml, 500 ml or 1000 ml soap container, placard in English, English/German, English/French, English/Spanish or English/Italian (other languages upon request).

B822K Series = key version (lockable) of B822- Series.

B823- Series = Version with soap container mounted in a displaced position and connected to the dispenser by a flexible hose/tube of appropriate length. Available with 2.5" or 4.0" piston spout length, 250 ml, 500 ml or 1000 ml soap container, placard in different languages (see above).

B823K Series = key version (lockable) of B823- Series.

B825- Series = Version with soap container mounted in a displaced position and connected to the dispenser by a flexible metal pipe of appropriate length. Available with 2.5" or 4.0" piston spout length, 500 ml or 1000 ml soap container, placard in different languages (see above).  
-This is the previous version of the B828- Series and only a few models are still in use.

B825K Series = key version (lockable) of B825- Series. - This is the previous version of the B828K Series and only a few models are still in use.

B828- Series = Version with soap container mounted in a displaced position and connected to the dispenser by a flexible metal pipe of appropriate length. Available with 2.5" or 4.0" piston spout length, 500 ml or 1000 ml soap container, placard in different languages (see above).

B828K Series = key version (lockable) of B828- Series.

### 3. OPERATION

A. The piston conveys approx. 0,76 ml (0.03 oz.) soap to the piston outlet by each manual depression of the piston. Single-hand operation of the unit is possible.

NOTE:           Cleaning of the soap container must be carried out after 18 months (Ref. to chapter CLEANING).

### 4. TECHNICAL DATA

A. Filling capacity

The unit is available with a filling capacity of:

- approx. 0,25 l (8.45 oz.) for approx. 325 washings
- approx. 0,50 l (16.19 oz.) for approx. 650 washings
- approx. 1,00 l (33.81 oz.) for approx. 1300 washings

B. Weight and Dimensions

(1) Weight Soap Dispenser complete:

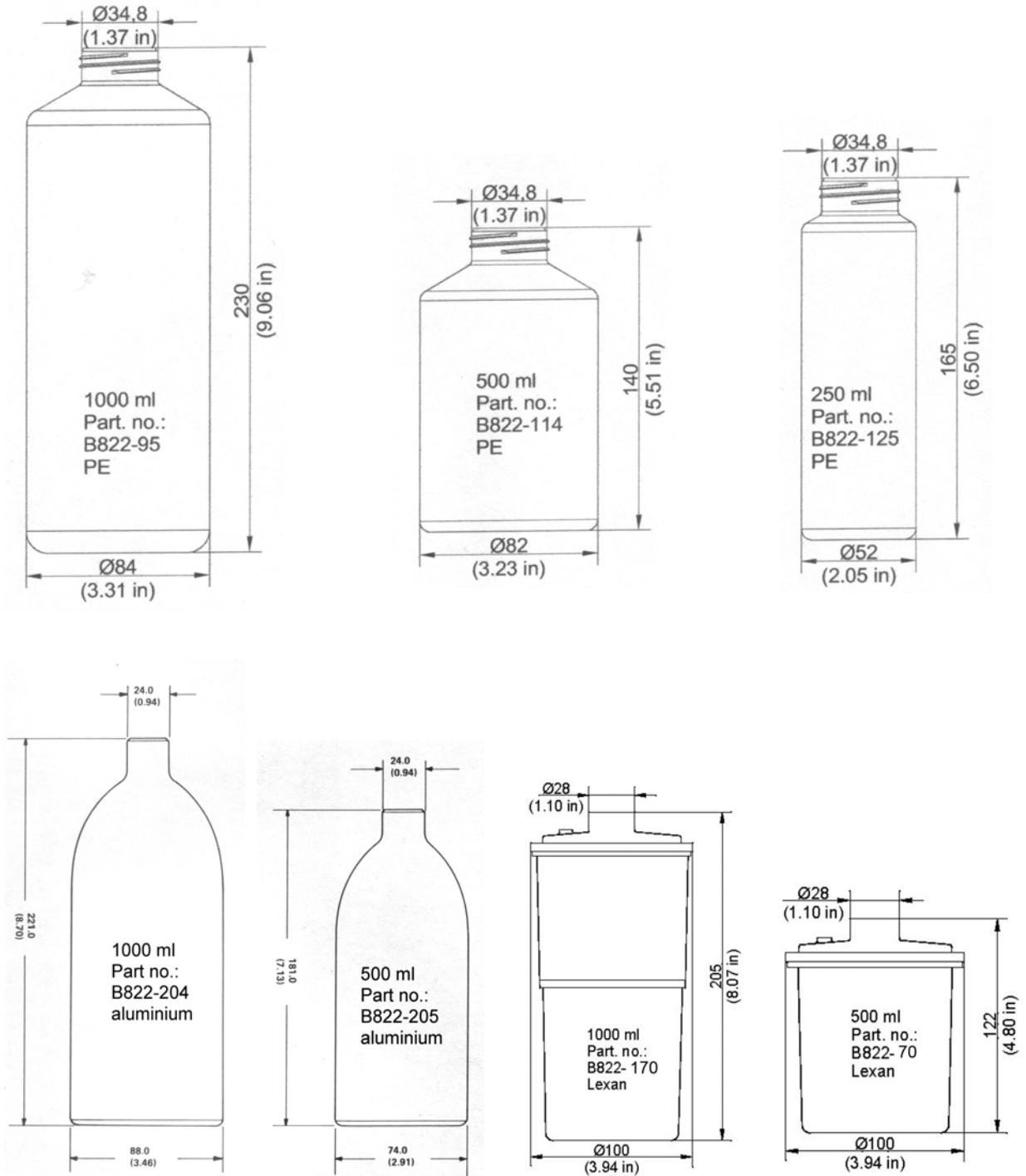
B822-25-02-XX	0,249 kg	(0.549 lb)
B822-25-05-XX	0,261 kg	(0.575 lb)
B822-25-10-XX	0,306 kg	(0.675 lb)
B822K25-02-XX	0,249 kg	(0.549 lb)
B822K25-05-XX	0,261 kg	(0.575 lb)
B822K25-10-XX	0,306 kg	(0.675 lb)
B822-40-02-XX	0,259 kg	(0.571 lb)
B822-40-05-XX	0,271 kg	(0.597 lb)
B822-40-10-XX	0,316 kg	(0.697 lb)
B822K40-02-XX	0,259 kg	(0.571 lb)
B822K40-05-XX	0,271 kg	(0.597 lb)
B822K40-10-XX	0,316 kg	(0.697 lb)
B823-25-02-XX	0,604 kg	(1.332 lb)
B823-25-05-XX	0,616 kg	(1.358 lb)
B823-25-10-XX	0,661 kg	(1.457 lb)
B823K25-02-XX	0,604 kg	(1.332 lb)
B823K25-05-XX	0,616 kg	(1.358 lb)
B823K25-10-XX	0,661 kg	(1.457 lb)
B823-40-02-XX	0,614 kg	(1.354 lb)
B823-40-05-XX	0,626 kg	(1.380 lb)
B823-40-10-XX	0,671 kg	(1.479 lb)
B823K40-02-XX	0,614 kg	(1.354 lb)
B823K40-05-XX	0,626 kg	(1.380 lb)
B823K40-10-XX	0,671 kg	(1.479 lb)
B825-40-10-11	0,786 kg	(1.733 lb)
B825K40-10	0,786 kg	(1.733 lb)
B828-25-07-XX	0,766 kg	(1.688 lb)
B828-25-17-XX	0,829 kg	(1.827 lb)
B828-25-24-XX	0,776 kg	(1.711 lb)
B828-25-25-XX	0,723 kg	(1.593 lb)

B828K25-07-XX	0,766 kg	(1.688 lb)
B828K25-17-XX	0,829 kg	(1.827 lb)
B828K25-24-XX	0,776 kg	(1.711 lb)
B828K25-25-XX	0,723 kg	(1.593 lb)
B828-40-07-XX	0,776 kg	(1.710 lb)
B828-40-17-XX	0,839 kg	(1.849 lb)
B828-40-24-XX	0,786 kg	(1.733 lb)
B828-40-25-XX	0,733 kg	(1.616 lb)
B828K40-07-XX	0,776 kg	(1.710 lb)
B828K40-17-XX	0,839 kg	(1.849 lb)
B828K40-24-XX	0,786 kg	(1.733 lb)
B828K40-25-XX	0,733 kg	(1.616 lb)

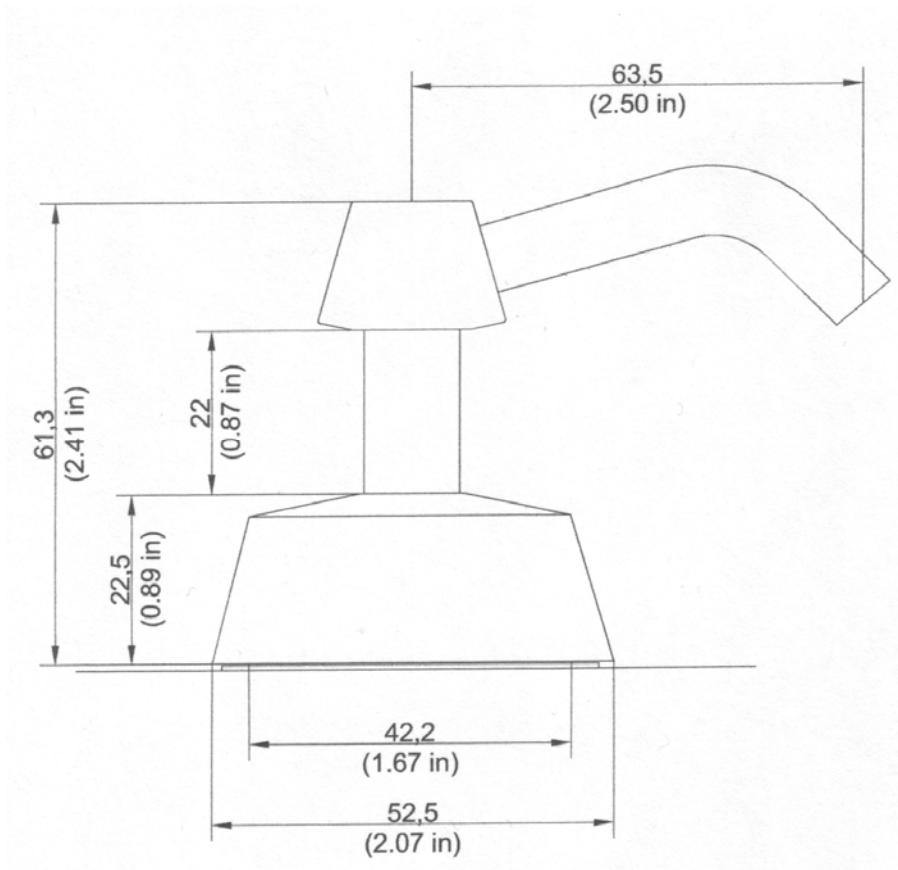
(2) Weight Soap Container:

B822-125	0,034 kg	(0.075 lb)
B822-114	0,046 kg	(0.101 lb)
B822-95	0,091 kg	(0.200 lb)
B822-205	0,064 kg	(0.140 lb)
B822-204	0,117 kg	(0.257 lb)
B822-70	0,107 kg	(0.235 lb)
B822-170	0,170 kg	(0.374 lb)

(3) Dimensions  
Refer to figure 1 to 4

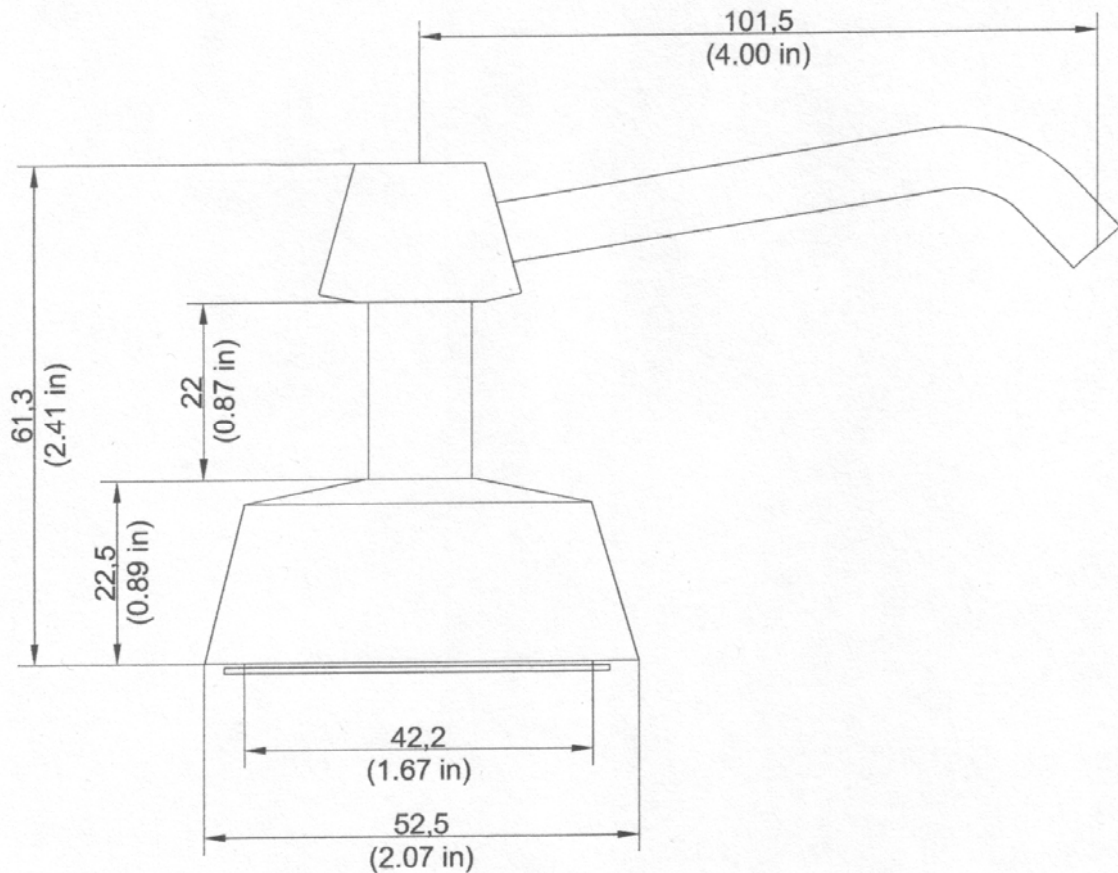


DI MENSIONI SOAP CONTAINER  
FIGURE 1



**B822-23-3**

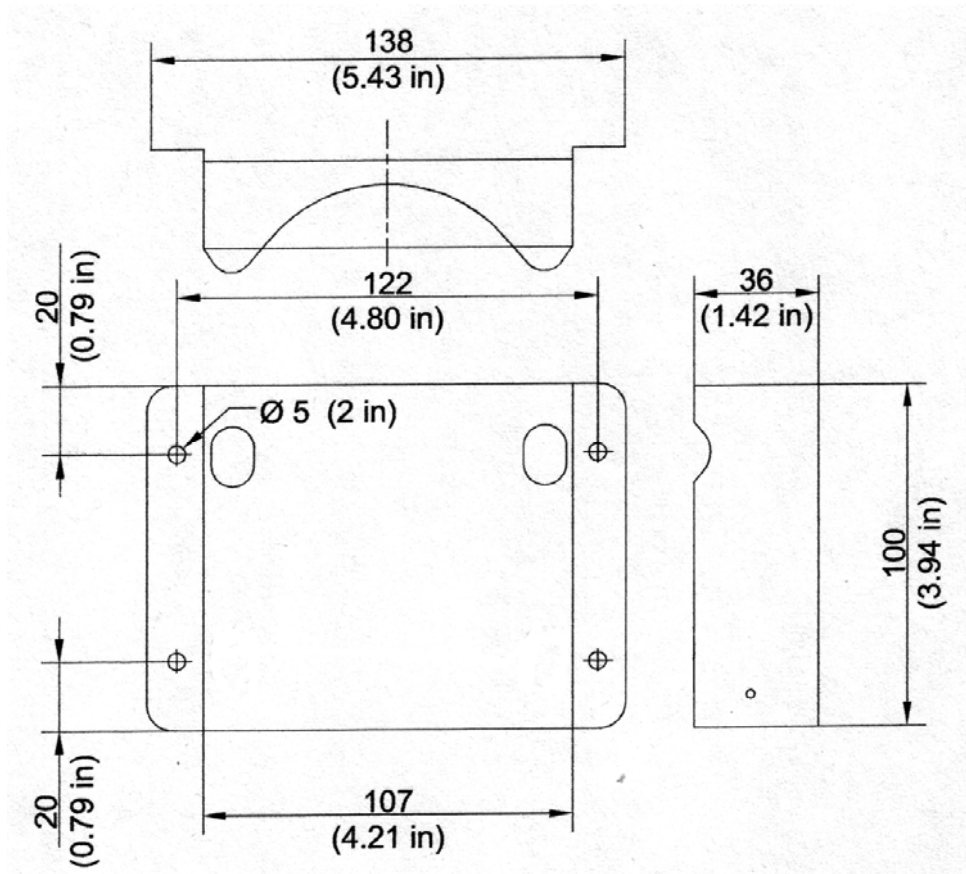
DIMENSION PISTON ASSY – B822-23-3  
FIGURE 2



**B822-23-2**

DIMENSION PISTON ASSY – B822-23-2  
FIGURE 3





**B822-118-11**

DIMENSION HOLDER – B822-118-11  
FIGURE 4



TESTING AND FAULT ISOLATION

1. GENERAL

- A. This section contains testing and fault isolation for the Liquid Soap Dispenser.
- B. The procedures given below must be completed if a failure is found with Liquid Soap Dispenser during use, or to make sure that the unit is serviceable before it is put into or put back into service.
- C. Carry out all procedures in a clean area to avoid scratches or other damages of any part.
- D. Numbers in parenthesis following item names in the procedures refer to the figures and item numbers in page-block 10001, ILLUSTRATED PARTS LIST.
- E. Make a visual inspection of the Liquid Soap Dispenser as detailed in page-block 5001, CHECK.

2. LIST OF POSSIBLE DEFECTS

NOTE: Ensure that soap container is filled. If the unit does not discharge any soap and defects listed below are not determinable, check that the unit contains the recommended soap (Refer to chapter SERVICING).

FAULT	PROBABLE CAUSE	CORRECTION ACTION
NO, OR INSUFFICIENT SOAP DISCHARGE	A. CONNECTION BETWEEN PISTON ASSY AND TUBE IS LOOSE	- CONNECT TUBE WITH THE PISTON ASSY
	B. CONNECTION BETWEEN PISTON ASSY AND TUBE IS DEFECTIVE	- REPLACE PVC-TUBE
	C. PVC-TUBE TOO SHORT	- REPLACE PVC-TUBE
	D. PVC-TUBE TOO LONG (REF. IPL, FIG. 1A-20 TO 1M-20)	- CUT PVC-TUBE TO OR INSTALL PVC-TUBE WITH CORRECT LENGTH AND NOTCH AT THE LOWER END

FAULT ISOLATION CHART  
 TABLE 1001

## DI SASSEMBLY

### 1. GENERAL

A. The disassembly of the Soap Dispenser is necessary to replace a part, to carry out repairs, or to overhaul the Soap Dispenser.

NOTE: The degree of disassembly carried out shall not be more than necessary. For identification of damage or function failures refer to the chapters CHECK and TESTING AND FAULT ISOLATION.

### 2. PROCEDURE

A. Disassembly of B822 version (Ref. IPL, Fig. 1A to 1D and Fig. 2A)

- (1) Remove adapter (1-50) from container (1-60).
- (2) Separation of Piston Assy from Shank Assy
  - (a) Unlock cover (2-60) and separate Piston Assy (1-10) from Shank Assy (1-40).

NOTE: For procedure refer to chapter SERVICING.

- (3) Disassembly of Piston Assy (Ref. IPL, Fig. 2A)
  - (a) Remove guide key (80) from cylinder (90).
  - (b) Separate piston (10), spring (30), washer (70), duck valve (50), cover (60) from cylinder (90) with bonded adjusting washer (40).
  - (c) Remove O-ring (20) from piston (10).

NOTE: Remove and discard placard only when damaged, loose or if another language is required.

B. Disassembly of B823 version (Ref. IPL, Fig. 1E to 1H and Fig. 2A)

- (1) Remove adapter (1-50) from container (1-60).
- (2) Remove clamp (1-60) and tube (1-70).
- (3) Separation of Piston Assy from Shank Assy
  - (a) Unlock cover (2-60) and separate piston assy (1-10) from shank assy (1-40).

NOTE: For procedure refer to chapter SERVICING.

- (4) Disassembly of Piston Assy (Ref. IPL, Fig. 2A)
  - (a) Remove guide key (80) from cylinder (90).
  - (b) Separate piston (10), spring (30), washer (70), duck valve (50), cover (60) from cylinder (90) with bonded adjusting washer (40).

(c) Remove O-ring (20) from piston (10).

NOTE: Remove and discard placard only when damaged, loose or if another language is required.

C. Disassembly of B825 version (Ref. IPL, Fig. 1J, 1K and Fig. 2A)  
(1) See B828 version below.

D. Disassembly of B828 version (Ref. IPL, Fig. 1J, 1K and Fig. 2A)

(1) Remove clamps (1-50) and tube (1-80) from container (1-60).

(2) Remove tube (1-80), sleeves (1-90) and flexible metal pipe (1-100).

(3) Separation of Piston Assy from Shank Assy.

(a) Unlock cover (2-60) and separate piston assy (1-10) from shank assy (1-40).

NOTE: For procedure refer to chapter SERVICING.

(4) Disassembly of Piston Assy (Ref. IPL, Fig. 2A)

(a) Remove guide key (80) from cylinder (90).

(b) Separate piston (10), spring (30), washer (70), duck valve (50), cover (60) from cylinder (90) with bonded adjusting washer (40).

(c) Remove O-ring (20) from piston (10).

NOTE: Remove and discard placard only when damaged, loose or if another language is required.

E. Disassembly of Shank Assy (Ref. IPL, Fig. 3A)

(1) Remove lock ring (30) from shank (10).

(2) Remove spring (20) from lock ring (30).

(3) Remove retaining nut (70), tooth lock washer (60), rubber washer (50) and metal washer (40) from shank (10).

CLEANING

1. GENERAL

A. List of Materials, Tools and Fixtures

WARNING: THE INSTRUCTIONS FOR USING THE MATERIALS HAVE TO BE OBSERVED (REFER TO THE CORRESPONDING MATERIAL SUPPLIER'S INSTRUCTIONS).

WARNING: METHYL-ETHYL-KETONE IS DANGEROUS TO YOUR HEALTH. THE MANUFACTURERS PRECAUTIONS HAVE TO BE OBSERVED WHEN USING HAZARDOUS MATERIALS.

NOTE: Equivalent substitutes can be used for listed items.

MATERIAL	SPECIFICATION	SOURCE
METHYL-ETHYL-KETONE	FEDERAL SPECIFICATION TT-M-261	LOCAL PURCHASE
CLEAN WATER		LOCAL PURCHASE
ALCOHOL		LOCAL PURCHASE

CLEANING MATERIALS  
TABLE 4001

2. PROCEDURE

CAUTION: TO PREVENT DAMAGE OR DISTORTION OF THE UNIT DO NOT USE ABRASIVE CLEANERS.

NOTE: Cleaning must be carried out after 18 months.

- A. Clean the piston assy by pumping clean water through the unit.
- B. Clean the soap container by filling it with clean water and shaking the soap container several times. Repeat this procedure twice.
- C. If the placard has been removed, clean cover with a cloth dampened with acetone or equivalent.

CHECK

1. GENERAL

A. Procedure

- (1) Check all parts of the unit visually. Parts which are defective, broken or deformed have to be replaced.

REPAIR

1. GENERAL

No special repair procedure is applicable. Defective parts must be replaced.

## ASSEMBLY

### 1. GENERAL

Before assembly, make sure that the CLEANING, CHECK and REPAIR procedures for all component parts have been completed.

### 2. PROCEDURE

#### A. Assembly of Shank Assy (Ref. IPL, Fig. 3A)

- (1) Insert spring (20) onto lock ring (30). Ensure that spring fits correctly into lock ring.
- (2) While holding spring into lock ring, slide lock ring onto shank (10) until lock ring snaps into position.

NOTE: Ensure that the larger diameter of the lock ring is lined up with the lower part of the shank. The lock ring fits correctly one position only.

- (3) Install metal washer (40), rubber washer (50), tooth lock washer (60) and retaining nut (70) on shank (10).

NOTE: To facilitate installation on the aircraft, do not adjust the retaining nut (70).

#### B. Assembly of Piston Assy (Ref. IPL, Fig. 2A)

- (1) Install O-ring (2-20) on piston (2-10).
- (2) Insert duck valve (2-50), washer (2-70) and spring (2-30) into cylinder (2-90) with bonded adjusting washer (2-40).
- (3) Slide cover (2-60) and O-ring (2-20) onto piston (2-10).
- (4) Insert complete piston into cylinder (2-90) and secure with guide key (2-80).
- (5) Install PVC-tube (1-20) onto cylinder (2-90) and secure with cable tie (1-30).

NOTE: To ensure correct function of the unit the tube (1-20) has to be cut to correct length and notched at the lower end.

#### C. Assembly of B822 version (Ref. IPL, Fig. 1A to 1D and 2A)

- (1) Install PVC-tube (1-20) with cable tie (1-30) to piston assy (1-10).
- (2) Attach assembled piston (1-10) with PVC-tube to the shank assy (1-40).
- (3) Secure piston assy onto shank by turning cover (2-60) clockwise until it stops.
- (4) Install adapter (1-50) to container (1-60).

(5) If placard has been removed stick new placard onto cover.

NOTE: No further assembly is recommendable because the unit can not be installed into the aircraft as a complete assembled unit.

D. Assembly of B823 version (Ref. IPL, Fig. 1E to 1H and 2A)

- (1) Install PVC-tube (1-20) with cable tie (1-30) to piston assy (1-10).
- (2) Attach assembled piston (1-10) with PVC-tube to the shank assy (1-40).
- (3) Secure piston assy onto shank by turning cover (2-60) clockwise until it stops.
- (4) Install tube (1-70) with clamps (1-60).
- (5) Install adapter (1-50) to container (1-80).
- (6) If placard has been removed stick new placard onto cover.

NOTE: No further assembly is recommendable because the unit can not be installed into aircraft as a complete assembled unit.

E. Assembly of B825 version (Ref. IPL, Fig. 1J to 1K and 2A)  
See B828 version.

F. Assembly of B828 version (Ref. IPL, Fig. 1J to 1K and 2A)

- (1) Install PVC-tube (1-20) with cable tie (1-30) to piston assy (1-10).
- (2) Attach assembled piston (1-10) with PVC-tube to the shank assy (1-40).
- (3) Secure piston assy onto shank by turning cover (2-60) clockwise until it stops.
- (4) Install tube (1-80) with clamps (1-50) to shank assy (1-40).
- (5) Install flexible metal pipe (1-100) with sleeves (1-90).
- (6) Install tube assy (1-80) with clamp (1-50) to container (1-60).
- (7) If placard has been removed stick new placard onto cover.

NOTE: No further assembly is recommendable because the unit can not be installed into aircraft as a complete assembled unit.



FITS AND CLEARANCES

1. GENERAL

- A. This topic gives torque values.
- B. Torque values (Ref. Table 8001)

(1) All torque values given in this manual are shown in the table of torque values. The parts are identified by the IPL figure and item number.

IPL FIG AND ITEM NO.	NOMENCLATURE	TORQUE VALUE
3 – 70A	RETAINING NUT	15,00 NM (11.06 FT. LB.)

TORQUE VALUES  
TABLE 8001

SPECIAL TOOLS, FIXTURES AND EQUIPMENT

1. GENERAL

No SPECIAL TOOLS, FIXTURES or EQUIPMENT is required.



**COMPONENT MAINTENANCE MANUAL**  
**SOAP DISPENSERS**  
**SEIFENSPENDER**  
**B82X SERIES**

No. : 25-40-01

Issue: D

Date: May 02/2022

ILLUSTRATED PARTS LIST

I PL-TP  
PAGE 10001

**25-40-01**

May 02/2022

## INTRODUCTION

### 1. GENERAL

This IPL contains the complete listing of all replaceable parts of the Liquid Soap Dispenser.

### 2. MATERIAL ARRANGEMENT

A. This IPL comprises the following sections:

#### (1) Introduction

The introduction contains all explanatory information for the individual sections as is necessary for use of this IPL. The introduction further contains a list of abbreviations used in detailed parts list as well as a list of manufacturer's codes together with manufacturer's names and addresses.

#### (2) Numerical Index

(a) This section contains a listing of part numbers of all items listed in the detailed parts list in alpha/numerical sequence with cross-reference to respective Fig./Item Nos. as well as units per assy. The order of precedence in beginning the part number arrangement at the left-hand (first) position is as follows:

- letters A through Z (except ,0' to be considered zero),
- numerals 0 through 9.

(b) For subsequent rows, the order is:

- a dash (-),
- letters A through Z (except ,0' to be considered zero),
- numerals 0 through 9.

#### (3) Detailed Parts List

##### (a) Column FIG. ITEM

The first number in the first line of a page indicates the number of the figure illustrating the part. The second number indicates the item number by which the part is identifiable on the illustration. A dash (-) placed before the item number indicates the part is not illustrated.

(b) Column PART NUMBER

The part number column contains the original manufacturer's part number. When standard parts are used, the standard part number is listed in this column.

1 CBS - Carsten Daus GmbH's Part Number Arrangement

Example:

B822-40-10-00

B822	-----	Model number
40	-----	Piston length 101,6 mm (4.0 in.)
02	---	Soap container capacity 0,25 l (0.066 US gal.)
05	---	Soap container capacity 0,50 l (0.132 US gal.)
10	---	Soap container capacity 1,00 l (0.265 US gal.)
		00- Placard in English
		99- Without Placard

(c) Column AIRLINE STOCK NUMBER

This column is left blank for airline internal use.

(d) Column IND

The indenture system shows the relationship of parts and assemblies to next higher assemblies or installations as follows:

IND

- 1 Assembly or installation assembly RF number.
- 2 Detail parts of assembly or sub-assembly.
- 3 Detail parts of sub-assembly or sub-sub-assembly.
- 4 etc.

(e) Column NOMENCLATURE

1 Attaching parts

Attaching parts are captioned ATTACHING PARTS and are listed immediately following the parts attached.

The \*\*\* symbol follows the last item of the attaching parts group. Column EFF CODE

2 Cage (Vendor) Code

Parts manufactured by companies other than CBS-Carsten Daus GmbH are identified by an appropriate cage (vendor) code following the nomenclature. Vendor codes are in accordance with current issues of Federal Supply Codes for Manufacturers Cataloguing Handbooks H4-1, H4-2 and H4-3, and are preceded by the letter „V“. Standard parts such as An, MS etc. are not identified by a vendor code.

(f) Column EFF CODE

The Effectivity Code column establishes a part relationship with units or assemblies which are essentially the same but have minor deviations. These units or assemblies are assigned reference letters such as A, B, C etc. Parts which are not common to all configurations but are associated with one or more of the coded lead items, carry the letter or letters assigned to the lead item with which it is associated. Where a part is common to all lead items, the effectivity column is left blank.

(g) Column UNITS PER ASSY

This column contains the quantity of a specific catalog sequence numbered part required in the build sequence of only one (where more than one exists) next higher sub-sub-assembly, sub-assembly, assembly or installation level as applicable. For bulk items, the letters “AR” are inserted in the quantity column to indicate “as required“. Where items are listed for reference purpose, “RF“ is inserted.

(4) Explanation of Terms and Symbols

- (a) Part numbers with more than 15 characters require the introduction of a dummy part number with a cross-reference to the over length part number. This will be shown in the detailed parts list as follows:  
 "OPN xxxxxxxxxxxxxxxx (Vx)
- (b) Part numbers amended with a capital letter (shown in the nomenclature column) means that this equipment is improved without any change to the operational effect.
- (c) The term "REPLD BY" means that the part in the part number column is replaced by and is interchangeable with the part number shown in the notation.

- (d) The term "REPL" means that the part in the part number column replaces and is interchangeable with the part number shown in the notation.
- (e) The term "ALT" means that the part is an alternative for another part with equal value, weight, dimension, etc. Can be noted with certain specifications or completely interchangeable.
- (f) The term "IND" means that the part is completely equal to other variants listed without any differing specifications. It may be used in any instance where the alternate part is referenced.
- (g) The term "NP" means that the part is not procurable. Order next higher assembly.

(5) List of Abbreviations

The following abbreviations are used in this IPL:

Abbreviation

ALT	ALTERNATE PART NUMBER
AR	AS REQUIRED
ASSY	ASSEMBLY
BKDN	BREAKDOWN
DET	DETAIL
EFF	EFFECTIVE/EFFECTIVITY
FIG	FIGURE
IN	INCH
IND	INDENTURE
IPL	ILLUSTRATED PARTS LIST
L	LITER
MM	MILLIMETER
NHA	NEXT HIGHER ASSEMBLY
NO	NUMBER
NOS	NUMBERS
NP	NOT PROCURABLE
OPN	OVERLENGTH PART NUMBER
OPT	OPTIONAL PART NUMBER
PNR	PART NUMBER



**COMPONENT MAINTENANCE MANUAL**  
**SOAP DISPENSERS**  
**SEIFENSPENDER**  
**B82X SERIES**

No. : 25-40-01

Issue: D

Date: May 02/2022

REPLD	REPLACED
REPLS	REPLACES
REQ	REQUI RED
RF	REFERENCE
SUPSD	SUPERSEDED
SUPSDS	SUPERSEDES
TTL	TOTAL
V	VENDOR

(6) List of Vendors

Not appl i cabl e



NUMERICAL INDEX

PART NUMBER	AIRLINE STOCK NO.	FIG	ITEM	TTL REQ
B822-102-1		01A	040A	1
		01B	040A	1
		01C	040A	1
		01D	040A	1
		01E	040A	1
		01F	040A	1
		01G	040A	1
		01H	040A	1
		01I	040A	1
		01J	040A	1
		01K	040A	1
		01L	040A	1
		01M	040A	1
		03A	001A	RF
B822K102-1		01A	040B	1
		01B	040B	1
		01C	040B	1
		01D	040B	1
		01E	040B	1
		01F	040B	1
		01G	040B	1
		01H	040B	1
		01I	040B	1
		01J	040B	1
		01K	040B	1
		01L	040B	1
		01M	040B	1
		03A	001B	RF
B822-102-11		03A	010A	1
B822-102-12		03A	020A	1
B822K102-12		03A	020B	1
B822-102-13		03A	030A	1
B822-102-14		03A	040A	1
B822-102-15		03A	050A	1
B822-102-16		03A	070A	1



**COMPONENT MAINTENANCE MANUAL**  
**SOAP DISPENSERS**  
**SEIFENSPENDER**  
**B82X SERIES**

No. : 25-40-01

Issue: D

Date: May 02/2022

PART NUMBER	AIRLINE STOCK NO.	FIG	ITEM	TTL REQ
B822-110-12		01B	020A	1
		01D	020A	1
B822-110-13		01A	020B	1
		01C	020B	1
B822-110-15		01F	020A	1
		01H	020A	1
		01I	020A	1
		01K	020A	1
		01M	020A	1
B822-110-16		01E	020B	1
		01G	020B	1
		01K	020B	1
		01M	020B	1
B822-110-18		01E	020A	1
		01G	020A	1
B822-110-19		01A	020A	1
		01C	020A	1
B822-110-20		01J	020A	1
		01L	020A	1
B822-110-21		01J	020B	1
		01L	020B	1
B822-111-12		01E	070A	1
		01F	070A	1
		01G	070A	1
		01H	070A	1
B822-112-00		01A	070A	1
		01B	070A	1
		01C	070A	1
		01D	070A	1
		01E	090A	1
		01F	090A	1
		01G	090A	1
		01H	090A	1
		01I	070A	1
		01J	070A	1
		01K	070A	1
		01L	070A	1
		01M	070A	1

NI

PAGE 10002

**25-40-01**

May 02/2022



**COMPONENT MAINTENANCE MANUAL**  
**SOAP DISPENSERS**  
**SEIFENSPENDER**  
**B82X SERIES**

No. : 25-40-01

Issue: D

Date: May 02/2022

PART NUMBER	AIRLINE STOCK NO.	FIG	ITEM	TTL REQ
B822-112-11		01A	070A	1
		01B	070A	1
		01C	070A	1
		01D	070A	1
		01E	090A	1
		01F	090A	1
		01G	090A	1
		01H	090A	1
		01I	070A	1
		01J	070A	1
		01K	070A	1
		01L	070A	1
		01M	070A	1
B822-112-13		01A	070A	1
		01B	070A	1
		01C	070A	1
		01D	070A	1
		01E	090A	1
		01F	090A	1
		01G	090A	1
		01H	090A	1
		01J	070A	1
		01K	070A	1
		01L	070A	1
		01M	070A	1
	B822-112-14		01A	070A
		01B	070A	1
		01C	070A	1
		01D	070A	1
		01E	090A	1
		01F	090A	1



**COMPONENT MAINTENANCE MANUAL**  
**SOAP DISPENSERS**  
**SEIFENSPENDER**  
**B82X SERIES**

No. : 25-40-01

Issue: D

Date: May 02/2022

PART NUMBER	AIRLINE STOCK NO.	FIG	ITEM	TTL REQ
		01G	090A	1
		01H	090A	1
		01J	070A	1
		01K	070A	1
		01L	070A	1
		01M	070A	1
B822-112-16		01A	070A	1
		01B	070A	1
		01C	070A	1
		01D	070A	1
		01E	090A	1
		01F	090A	1
		01G	090A	1
		01H	090A	1
		01J	070A	1
		01K	070A	1
		01L	070A	1
		01M	070A	1
B822-114		01A	060B	1
		01C	060B	1
		01E	080B	1
		01G	080B	1
B822-118		01E	100A	1
		01F	100A	1
		01G	100A	1
		01H	100A	1
		01I	120A	1
		01J	120A	1
		01K	120A	1
		01L	120A	1
		01M	120A	1



**COMPONENT MAINTENANCE MANUAL**  
**SOAP DISPENSERS**  
**SEIFENSPENDER**  
**B82X SERIES**

No. : 25-40-01

Issue: D

Date: May 02/2022

PART NUMBER	AIRLINE STOCK NO.	FIG	ITEM	TTL REQ
B822-118-11		01E	110A	1
		01F	110A	1
		01G	110A	1
		01H	110A	1
		01I	130A	1
		01J	130A	1
		01K	130A	1
		01L	130A	1
		01M	130A	1
B822-119-98		02A	050A	1
B822-125		01A	060A	1
		01C	060A	1
		01E	080A	1
		01G	080A	1
B822-170		01J	060B	1
		01L	060B	1
B822-201		04A	001A	RF
B822-201-11		04A	020A	1
B822-201-12		04A	050A	1
B822-201-13		04A	010A	1
B822-201-14		04A	030A	2
B822-201-15		04A	040A	1
B822-202-14		01I	090A	2
		01J	090A	2
		01K	090A	2
		01L	090A	2
		01M	090A	2
B822-202M12		01I	100A	1
		01J	100A	1
		01K	100A	1
		01L	100A	1
		01M	100A	1



**COMPONENT MAINTENANCE MANUAL**  
**SOAP DISPENSERS**  
**SEIFENSPENDER**  
**B82X SERIES**

No. : 25-40-01  
 Issue: D  
 Date: May 02/2022

PART NUMBER	AIRLINE STOCK NO.	FIG	ITEM	TTL REQ	
B822-202S12		01I	080A	1	
		01J	080A	1	
		01K	080A	1	
		01L	080A	1	
		01M	080A	1	
B822-204		01I	060A	1	
		01K	060A	1	
		01M	060A	1	
B822-205		01K	060B	1	
		01M	060B	1	
B822-23-12		02A	090A	1	
B822-23-15		02A	080A	1	
B822-23-17		02A	040A	1	
B822-23-2		01C	010A	1	
		01D	010A	1	
		01G	010A	1	
		01H	010A	1	
		01I	010A	1	
		01L	010A	1	
		01M	010A	1	
		02A	001A	RF	
	B822K23-2		01C	010B	1
			01D	010B	1
			01G	010B	1
		01H	010B	1	
		01I	010B	1	
		01L	010B	1	
		01M	010B	1	
		02A	001C	RF	
B822-23-22		02A	010A	1	
B822-23-3		01A	010A	1	
		01B	010A	1	
		01E	010A	1	
		01F	010A	1	
		01J	010A	1	
		01K	010A	1	
		02A	001B	RF	

PART NUMBER	AIRLINE STOCK NO.	FIG	ITEM	TTL REQ
B822K23-3		01A	010B	1
		01B	010B	1
		01E	010B	1
		01F	010B	1
		01J	010B	1
		01K	010B	1
		02A	001D	RF
B822-23-30		02A	070A	1
B822-23-32		02A	010B	1
B822-23-38		02A	020A	1
B822-23-65		02A	060A	1
B822K23-65		02A	060B	1
B822-23-83		02A	030A	1
B822-25		01A	080A	1
		01B	080A	1
		01C	080A	1
		01D	080A	1
		01E	130A	1
		01F	130A	1
		01G	130A	1
		01H	130A	1
		01I	110A	1
		01J	110A	1
		01K	110A	1
		01L	110A	1
		01M	110A	1
B822-25-02		01A	003A	RF
B822K25-02		01A	004A	RF
B822-25-02-00		01A	001A	RF
B822K25-02-00		01A	002A	RF
B822-25-02-11		01A	001B	RF
B822K25-02-11		01A	002B	RF
B822-25-02-13		01A	001D	RF
B822K25-02-13		01A	002D	RF

PART NUMBER	AIRLINE STOCK NO.	FIG	ITEM	TTL REQ
B822-25-02-14		01A	001E	RF
B822K25-02-14		01A	002E	RF
B822-25-02-16		01A	001F	RF
B822K25-02-16		01A	002F	RF
B822-25-05		01A	003H	RF
B822K25-05		01A	004A	RF
B822-25-05-00		01A	001H	RF
B822K25-05-00		01A	002H	RF
B822-25-05-11		01A	001J	RF
B822K25-05-11		01A	002J	RF
B822-25-05-13		01A	001L	RF
B822K25-05-13		01A	002L	RF
B822-25-05-14		01A	001M	RF
B822K25-05-14		01A	002M	RF
B822-25-05-16		01A	001N	RF
B822K25-05-16		01A	002N	RF
B822-25-10		01B	003H	RF
B822K25-10		01B	004H	RF
B822-25-10-00		01B	001H	RF
B822K25-10-00		01B	002H	RF
B822-25-10-11		01B	001J	RF
B822K25-10-11		01B	002J	RF
B822-25-10-13		01B	001L	RF
B822K25-10-13		01B	002L	RF
B822-25-10-14		01B	001M	RF
B822K25-10-14		01B	002M	RF
B822-25-10-16		01B	001N	RF
B822K25-10-16		01B	002N	RF
B822-40-02		01C	003A	RF
B822K40-02		01C	004A	RF
B822-40-02-00		01C	001A	RF
B822K40-02-00		01C	002A	RF
B822-40-02-11		01C	001B	RF
B822K40-02-11		01C	002B	RF
B822-40-02-13		01C	001D	RF
B822K40-02-13		01C	002D	RF



PART NUMBER	AIRLINE STOCK NO.	FIG	ITEM	TTL REQ
B822-40-02-14		01C	001E	RF
B822K40-02-14		01C	002E	RF
B822-40-02-16		01C	001F	RF
B822K40-02-16		01C	002F	RF
B822-40-05		01C	003H	RF
B822K40-05		01C	004H	RF
B822-40-05-00		01C	001H	RF
B822K40-05-00		01C	002H	RF
B822-40-05-11		01C	001J	RF
B822K40-05-11		01C	002J	RF
B822-40-05-13		01C	001L	RF
B822K40-05-13		01C	002L	RF
B822-40-05-14		01C	001M	RF
B822K40-05-14		01C	002M	RF
B822-40-05-16		01C	001N	RF
B822K40-05-16		01C	002N	RF
B822-40-10		01D	003H	RF
B822K40-10		01D	004H	RF
B822-40-10-00		01D	001H	RF
B822K40-10-00		01D	002H	RF
B822-40-10-11		01D	001J	RF
B822K40-10-11		01D	002J	RF
B822-40-10-13		01D	001L	RF
B822K40-10-13		01D	002L	RF
B822-40-10-14		01D	001M	RF
B822K40-10-14		01D	002M	RF
B822-40-10-16		01D	001N	RF
B822K40-10-16		01D	002N	RF
B822-70		01J	060A	1
		01L	060A	1
B822-94		01A	050A	1
		01B	050A	1
		01C	050A	1
		01D	050A	1
		01E	050A	1

PART NUMBER	AIRLINE STOCK NO.	FIG	ITEM	TTL REQ
		01F	050A	1
		01G	050A	1
		01H	050A	1
B822-95		01B	060A	1
		01D	060A	1
		01F	080A	1
		01H	080A	1
B823-25-02		01E	003A	RF
B823K25-02		01E	004A	RF
B823-25-02-00		01E	001A	RF
B823K25-02-00		01E	002A	RF
B823-25-02-11		01E	001B	RF
B823K25-02-11		01E	002B	RF
B823-25-02-13		01E	001D	RF
B823K25-02-13		01E	002D	RF
B823-25-02-14		01E	001E	RF
B823K25-02-14		01E	002E	RF
B823-25-02-16		01E	001F	RF
B823K25-02-16		01E	002F	RF
B823-25-05		01E	003H	RF
B823K25-05		01E	004H	RF
B823-25-05-00		01E	001H	RF
B823K25-05-00		01E	002H	RF
B823-25-05-11		01E	001J	RF
B823K25-05-11		01E	002J	RF
B823-25-05-13		01E	001L	RF
B823K25-05-13		01E	002L	RF
B823-25-05-14		01E	001M	RF
B823K25-05-14		01E	002M	RF
B823-25-05-16		01E	001N	RF
B823K25-05-16		01E	002N	RF
B823-25-10		01F	003H	RF
B823K25-10		01F	004H	RF
B823-25-10-00		01F	001H	RF
B823K25-10-00		01F	002H	RF

PART NUMBER	AIRLINE STOCK NO.	FIG	ITEM	TTL REQ
B823-25-10-11		01F	001J	RF
B823K25-10-11		01F	002J	RF
B823-25-10-13		01F	001L	RF
B823K25-10-13		01F	002L	RF
B823-25-10-14		01F	001M	RF
B823K25-10-14		01F	002M	RF
B823-25-10-16		01F	001N	RF
B823K25-10-16		01F	002N	RF
B823-40-02		01G	003A	RF
B823K40-02		01G	004A	RF
B823-40-02-00		01G	001A	RF
B823K40-02-00		01G	002A	RF
B823-40-02-11		01G	001B	RF
B823K40-02-11		01G	002B	RF
B823-40-02-13		01G	001D	RF
B823K40-02-13		01G	002D	RF
B823-40-02-14		01G	001E	RF
B823K40-02-14		01G	002E	RF
B823-40-02-16		01G	001F	RF
B823K40-02-16		01G	002F	RF
B823-40-05		01G	003H	RF
B823K40-05		01G	004H	RF
B823-40-05-00		01G	001H	RF
B823K40-05-00		01G	002H	RF
B823-40-05-11		01G	001J	RF
B823K40-05-11		01G	002J	RF
B823-40-05-13		01G	001L	RF
B823K40-05-13		01G	002L	RF
B823-40-05-14		01G	001M	RF
B823K40-05-14		01G	002M	RF
B823-40-05-16		01G	001N	RF
B823K40-05-16		01G	002N	RF
B823-40-05-99		01G	0010	RF
B823-40-10		01H	003H	RF
B823K40-10		01H	004H	RF
B823-40-10-00		01H	001H	RF
B823K40-10-00		01H	002H	RF

PART NUMBER	AIRLINE STOCK NO.	FIG	ITEM	TTL REQ
B823-40-10-11		01H	001J	RF
B823K40-10-11		01H	002J	RF
B823-40-10-13		01H	001L	RF
B823K40-10-13		01H	002L	RF
B823-40-10-14		01H	001M	RF
B823K40-10-14		01H	002M	RF
B823-40-10-16		01H	001N	RF
B823K40-10-16		01H	002N	RF
B823-40-10-99		01H	001O	RF
B825-40-10-11		01I	001A	RF
B825K40-10		01I	001B	RF
B828-25-07-00		01J	001A	RF
B828K25-07-00		01J	002A	RF
B828-25-07-11		01J	001B	RF
B828K25-07-11		01J	002B	RF
B828-25-07-13		01J	001C	RF
B828K25-07-13		01J	002C	RF
B828-25-07-14		01J	001D	RF
B828K25-07-14		01J	002D	RF
B828-25-07-16		01J	001E	RF
B828K25-07-16		01J	002E	RF
B828-25-17-00		01J	001F	RF
B828K25-17-00		01J	002F	RF
B828-25-17-11		01J	001G	RF
B828K25-17-11		01J	002G	RF
B828-25-17-13		01J	001H	RF
B828K25-17-13		01J	002H	RF
B828-25-17-14		01J	001J	RF
B828K25-17-14		01J	002J	RF
B828-25-17-16		01J	001K	RF
B828K25-17-16		01J	002K	RF
B828-25-24-00		01K	001A	RF
B828K25-24-00		01K	002A	RF
B828-25-24-11		01K	001B	RF
B828K25-24-11		01K	002B	RF
B828-25-24-13		01K	001C	RF
B828K25-24-13		01K	002C	RF

PART NUMBER	AIRLINE STOCK NO.	FIG	ITEM	TTL REQ
B828-25-24-14		01K	001D	RF
B828K25-24-14		01K	002D	RF
B828-25-24-16		01K	001E	RF
B828K25-24-16		01K	002E	RF
B828-25-25-00		01K	001F	RF
B828K25-25-00		01K	002F	RF
B828-25-25-11		01K	001G	RF
B828K25-25-11		01K	002G	RF
B828-25-25-13		01K	001H	RF
B828K25-25-13		01K	002H	RF
B828-25-25-14		01K	001J	RF
B828K25-25-14		01K	002J	RF
B828-25-25-16		01K	001K	RF
B828K25-25-16		01K	002K	RF
B828-40-07-00		01L	001A	RF
B828K40-07-00		01L	002A	RF
B828-40-07-11		01L	001B	RF
B828K40-07-11		01L	002B	RF
B828-40-07-13		01L	001C	RF
B828K40-07-13		01L	002C	RF
B828-40-07-14		01L	001D	RF
B828K40-07-14		01L	002D	RF
B828-40-07-16		01L	001E	RF
B828K40-07-16		01L	002E	RF
B828-40-17-00		01L	001F	RF
B828K40-17-00		01L	002F	RF
B828-40-17-11		01L	001G	RF
B828K40-17-11		01L	002G	RF
B828-40-17-13		01L	001H	RF
B828K40-17-13		01L	002H	RF
B828-40-17-14		01L	001J	RF
B828K40-17-14		01L	002J	RF
B828-40-17-16		01L	001K	RF
B828K40-17-16		01L	002K	RF
B828-40-24-00		01M	001A	RF
B828K40-24-00		01M	002A	RF

PART NUMBER	AIRLINE STOCK NO.	FIG	ITEM	TTL REQ
B828-40-24-11		01M	001B	RF
B828K40-24-11		01M	002B	RF
B828-40-24-13		01M	001C	RF
B828K40-24-13		01M	002C	RF
B828-40-24-14		01M	001D	RF
B828K40-24-14		01M	002D	RF
B828-40-24-16		01M	001E	RF
B828K40-24-16		01M	002E	RF
B828-40-25-00		01M	001F	RF
B828K40-25-00		01M	002F	RF
B828-40-25-11		01M	001G	RF
B828K40-25-11		01M	002G	RF
B828-40-25-13		01M	001H	RF
B828K40-25-13		01M	002H	RF
B828-40-25-14		01M	001J	RF
B828K40-25-14		01M	002J	RF
B828-40-25-16		01M	001K	RF
B828K40-25-16		01M	002K	RF
DI N3017AL2032W3		01E	060A	2
		01F	060A	2
		01G	060A	2
		01H	060A	2
		01I	050A	2
		01J	050A	2
		01K	050A	2
		01L	050A	2
		01M	050A	2
DI N6797A25A2A		03A	060A	1
MS3367-2		01E	120A	1
		01F	120A	1
		01G	120A	1
		01H	120A	1
		01I	140A	1
		01J	140A	1



**COMPONENT MAINTENANCE MANUAL**  
**SOAP DISPENSERS**  
**SEIFENSPENDER**  
**B82X SERIES**

No. : 25-40-01

Issue: D

Date: May 02/2022

PART NUMBER	AIRLINE STOCK NO.	FIG	ITEM	TTL REQ
MS3367-4		01K	140A	1
		01L	140A	1
		01M	140A	1
		01A	030A	1
		01B	030A	1
		01C	030A	1
		01D	030A	1
		01E	030A	1
		01F	030A	1
		01G	030A	1
		01H	030A	1
		01J	030A	1
		01K	030A	1
		01L	030A	1
	01M	030A	1	



**COMPONENT MAINTENANCE MANUAL**  
**SOAP DISPENSERS**  
**SEIFENSPENDER**  
**B82X SERIES**

No. : 25-40-01

Issue: D

Date: May 02/2022

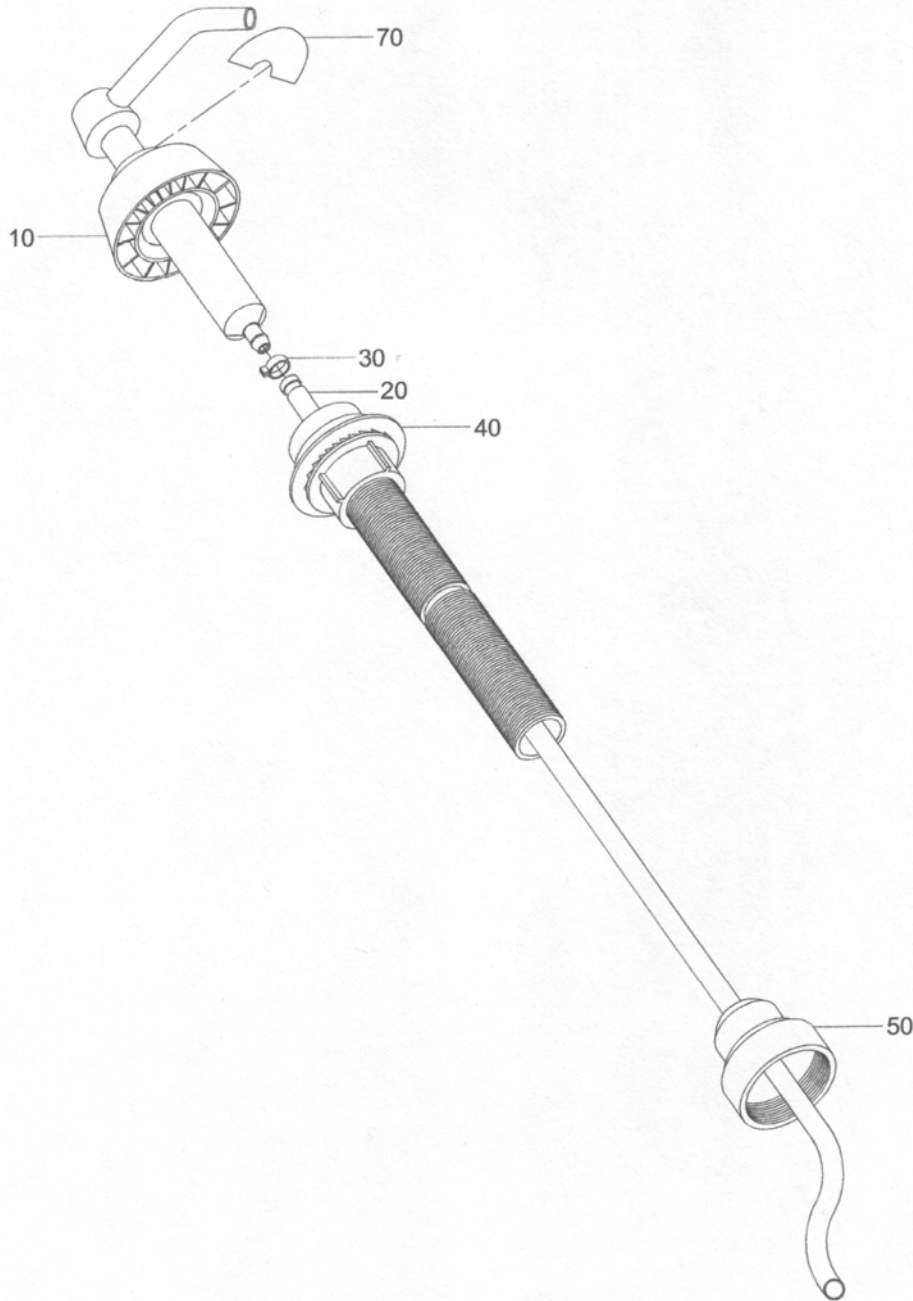
DETAILED PARTS LIST

DPL  
PAGE 10001

**25-40-01**

May 02/2022





LIQUID SOAP DISPENSER  
FIGURE 1A

FIG. ITEM	PART NUMBER	AIRLINE STOCK NUMBER	QUANTITY	NOMENCLATURE	EFF CODE	UNIT PER ASSY
-----------	-------------	----------------------	----------	--------------	----------	---------------

01A						
-003A	B822-25-02		1	DISPENSER, LIQUID SOAP ENGLISH ALT B822-25-02-00	A	RF
-004A	B822K25-02		1	DISPENSER, LIQUID SOAP ENGLISH, KEY VERSION ALT B822K25-02-00	A	RF
-001A	B822-25-02-00		1	DISPENSER, LIQUID SOAP ENGLISH REPLS B822-25-02	A	RF
-002A	B822K25-02-00		1	DISPENSER, LIQUID SOAP ENGLISH, KEY VERSION REPLS B822K25-02	A	RF
-001B	B822-25-02-11		1	DISPENSER, LIQUID SOAP ENGLISH - GERMAN	B	RF
-002B	B822K25-02-11		1	DISPENSER, LIQUID SOAP ENGLISH - GERMAN, KEY VERSION	B	RF
-001D	B822-25-02-13		1	DISPENSER, LIQUID SOAP ENGLISH - FRENCH	D	RF
-002D	B822K25-02-13		1	DISPENSER, LIQUID SOAP ENGLISH - FRENCH, KEY VERSION	D	RF
-001E	B822-25-02-14		1	DISPENSER, LIQUID SOAP ENGLISH - SPANISH	E	RF
-002E	B822K25-02-14		1	DISPENSER, LIQUID SOAP ENGLISH - SPANISH, KEY VERSION	E	RF
-001F	B822-25-02-16		1	DISPENSER, LIQUID SOAP ENGLISH - ITALIAN	F	RF
-002F	B822K25-02-16		1	DISPENSER, LIQUID SOAP ENGLISH - ITALIAN, KEY VERSION	F	RF
-003H	B822-25-05		1	DISPENSER, LIQUID SOAP ENGLISH ALT B822-25-05-00	H	RF

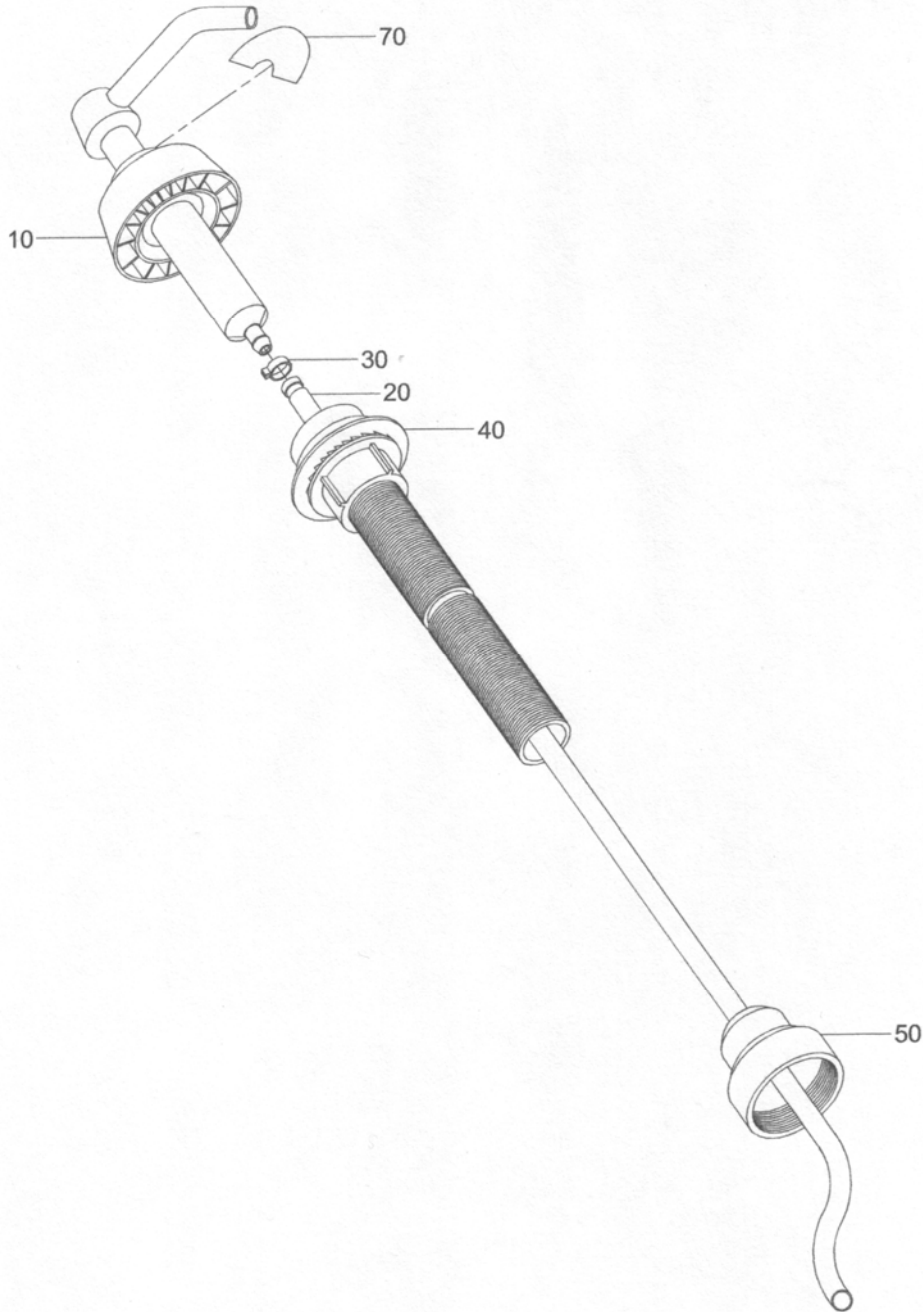
- ITEM NOT ILLUSTRATED

FIG. ITEM	PART NUMBER	AIRLINE STOCK NUMBER	QUANTITY	NOMENCLATURE	EFF CODE	UNIT PER ASSY
01A						
-004H	B822K25-05		1	DISPENSER, LIQUID SOAP ENGLISH, KEY VERSION ALT B822K25-05-00	H	RF
-001H	B822-25-05-00		1	DISPENSER, LIQUID SOAP ENGLISH REPLS B822-25-05	H	RF
-002H	B822K25-05-00		1	DISPENSER, LIQUID SOAP ENGLISH, KEY VERSION REPLS B822K25-05	H	RF
-001J	B822-25-05-11		1	DISPENSER, LIQUID SOAP ENGLISH - GERMAN	J	RF
-002J	B822K25-05-11		1	DISPENSER, LIQUID SOAP ENGLISH - GERMAN, KEY VERSION	J	RF
-001L	B822-25-05-13		1	DISPENSER, LIQUID SOAP ENGLISH - FRENCH	L	RF
-002L	B822K25-05-13		1	DISPENSER, LIQUID SOAP ENGLISH - FRENCH, KEY VERSION	L	RF
-001M	B822-25-05-14		1	DISPENSER, LIQUID SOAP ENGLISH - SPANISH	M	RF
-002M	B822K25-05-14		1	DISPENSER, LIQUID SOAP ENGLISH - SPANISH, KEY VERSION	M	RF
-001N	B822-25-05-16		1	DISPENSER, LIQUID SOAP ENGLISH - ITALIAN	N	RF
-002N	B822K25-05-16		1	DISPENSER, LIQUID SOAP ENGLISH - ITALIAN, KEY VERSION	N	RF
010A	B822-23-3		2	PISTON ASSY (SPOUT 2.5") SEE FIG. 02A FOR DET BKDN		1
-010B	B822K23-3		2	PISTON ASSY (SPOUT 2.5") KEY VERSION SEE FIG. 02A FOR DET BKDN		1

- ITEM NOT ILLUSTRATED

FIG. ITEM	PART NUMBER	AIRLINE STOCK NUMBER	I N D	NOMENCLATURE	EFF CODE	UNIT PER ASSY
01A						
	020A B822-110-19		2	TUBE, PVC LENGTH 260 MM, 10.24 IN	A-F	1
	-020B B822-110-13		2	TUBE, PVC LENGTH 230 MM, 9.06 IN	H-N	1
	030A MS3367-4		2	TIE, CABLE		1
	040A B822-102-1		2	SHANK ASSY SEE FIG. 03A FOR DET BKDN		1
	-040B B822K102-1		2	SHANK ASSY - KEY VERSION SEE FIG. 03A FOR DET BKDN		1
	050A B822-94		2	ADAPTER		1
	-060A B822-125		2	CONTAINER, PLASTIC SOAP 0,25 L, 0.066 US GAL.	A-F	1
	-060B B822-114		2	CONTAINER, PLASTIC SOAP 0,5 L, 0.132 US GAL.	H-N	1
	070A B822-112-00		2	PLACARD BONDED PART ENGLISH	A, H	1
	-070B B822-112-11		2	PLACARD BONDED PART ENGLISH - GERMAN	B, J	1
	-070D B822-112-13		2	PLACARD BONDED PART ENGLISH - FRENCH	D, L	1
	-070E B822-112-14		2	PLACARD BONDED PART ENGLISH - SPANISH	E, M	1
	-070F B822-112-16		2	PLACARD BONDED PART ENGLISH - ITALIAN	F, N	1
	-080A B822-25		2	KEY FOR KEY VERSIONS ONLY		1

- ITEM NOT ILLUSTRATED



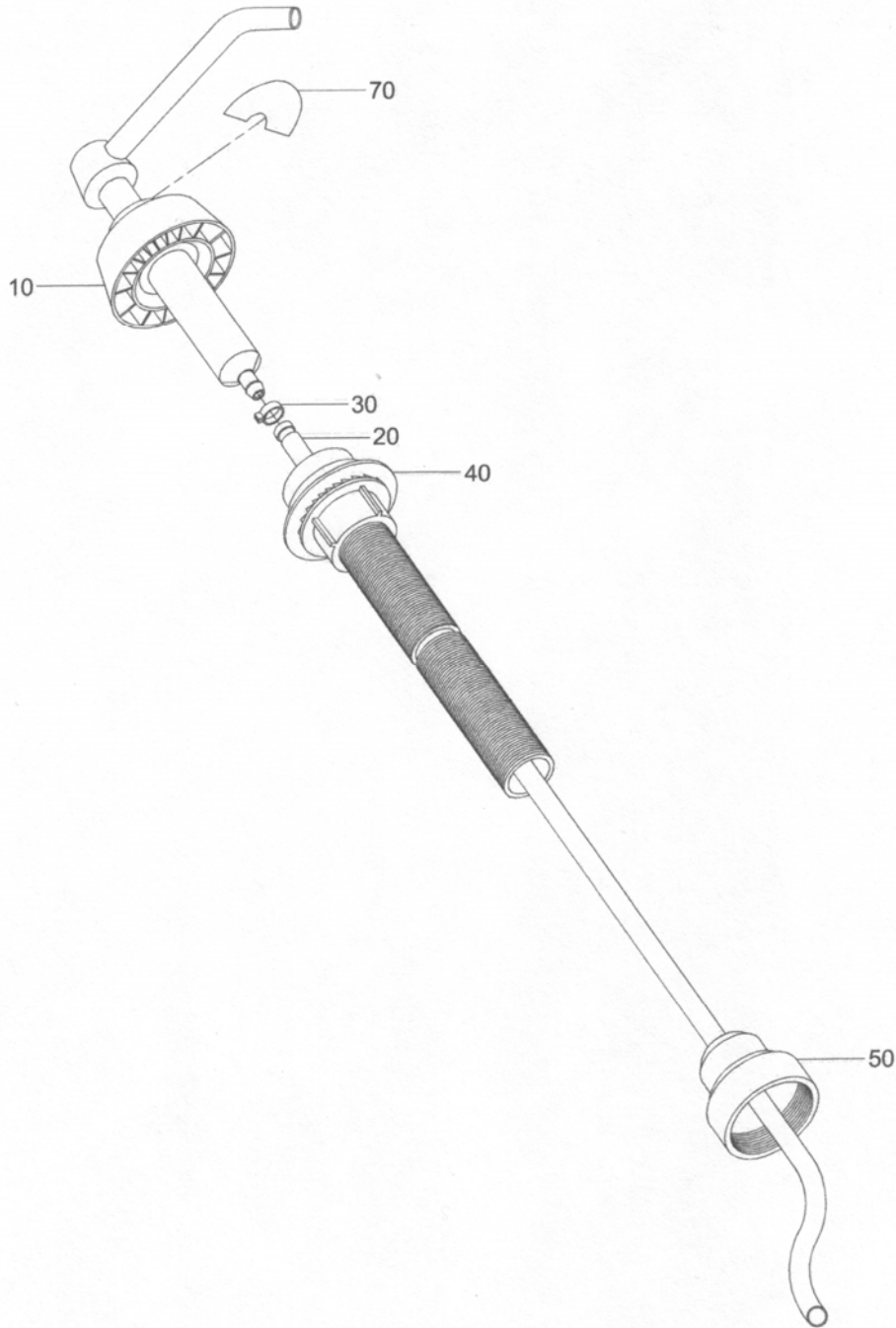
LIQUID SOAP DISPENSER  
FIGURE 1B

FIG. ITEM	PART NUMBER	AIRLINE STOCK NUMBER	QUANTITY	NOMENCLATURE	EFFECTIVE CODE	UNIT PER ASSY
01B						
-003H	B822-25-10		1	DISPENSER, LIQUID SOAP ENGLISH ALT B822-25-10-00	H	RF
-004H	B822K25-10		1	DISPENSER, LIQUID SOAP ENGLISH, KEY VERSION ALT B822K25-10-00	H	RF
-001H	B822-25-10-00		1	DISPENSER, LIQUID SOAP ENGLISH REPLS B822-25-10	H	RF
-002H	B822K25-10-00		1	DISPENSER, LIQUID SOAP ENGLISH, KEY VERSION REPLS B822K25-10	H	RF
-001J	B822-25-10-11		1	DISPENSER, LIQUID SOAP ENGLISH - GERMAN	J	RF
-002J	B822K25-10-11		1	DISPENSER, LIQUID SOAP ENGLISH - GERMAN, KEY VERSION	J	RF
-001L	B822-25-10-13		1	DISPENSER, LIQUID SOAP ENGLISH - FRENCH	L	RF
-002L	B822K25-10-13		1	DISPENSER, LIQUID SOAP ENGLISH - FRENCH, KEY VERSION	L	RF
-001M	B822-25-10-14		1	DISPENSER, LIQUID SOAP ENGLISH - SPANISH	M	RF
-002M	B822K25-10-14		1	DISPENSER, LIQUID SOAP ENGLISH - SPANISH, KEY VERSION	M	RF
-001N	B822-25-10-16		1	DISPENSER, LIQUID SOAP ENGLISH - ITALIAN	N	RF
-002N	B822K25-10-16		1	DISPENSER, LIQUID SOAP ENGLISH - ITALIAN, KEY VERSION	N	RF
010A	B822-23-3		2	PISTON ASSY (SPOUT 2.5") SEE FIG. 02A FOR DET BKDN		1
-010B	B822K23-3		2	PISTON ASSY (SPOUT 2.5") KEY VERSION SEE FIG. 02A FOR DET BKDN		1

- ITEM NOT ILLUSTRATED

FIG. ITEM	PART NUMBER	AIRLINE STOCK NUMBER	QTY	NOMENCLATURE	EFF CODE	UNIT PER ASSY
01B						
	020A B822-110-12		2	TUBE, PVC LENGTH 330 MM, 12.99 IN	H-N	1
	030A MS3367-4		2	TIE, CABLE		1
	040A B822-102-1		2	SHANK ASSY SEE FIG. 03A FOR DET BKDN		1
	-040B B822K102-1		2	SHANK ASSY - KEY VERSION SEE FIG. 03A FOR DET BKDN		1
	050A B822-94		2	ADAPTER		1
	-060A B822-95		2	CONTAINER, PLASTIC SOAP 1 L, 0.265 US GAL	H-N	1
	070A B822-112-00		2	PLACARD BONDED PART ENGLISH	H	1
	-070B B822-112-11		2	PLACARD BONDED PART ENGLISH - GERMAN	J	1
	-070D B822-112-13		2	PLACARD BONDED PART ENGLISH - FRENCH	L	1
	-070E B822-112-14		2	PLACARD BONDED PART ENGLISH - SPANISH	M	1
	-070F B822-112-16		2	PLACARD BONDED PART ENGLISH - ITALIAN	N	1
	-080A B822-25		2	KEY FOR KEY VERSIONS ONLY		1

- ITEM NOT ILLUSTRATED



LIQUID SOAP DISPENSER  
FIGURE 1C



FIG. ITEM	PART NUMBER	AIRLINE STOCK NUMBER	QUANTITY	NOMENCLATURE	EFF CODE	UNIT PER ASSY
01C						
-003A	B822-40-02		1	DISPENSER, LIQUID SOAP ENGLISH ALT B822-40-02-00	A	RF
-004A	B822K40-02		1	DISPENSER, LIQUID SOAP ENGLISH, KEY VERSION ALT B822K40-02-00	A	RF
-001A	B822-40-02-00		1	DISPENSER, LIQUID SOAP ENGLISH REPLS B822-40-02	A	RF
-002A	B822K40-02-00		1	DISPENSER, LIQUID SOAP ENGLISH, KEY VERSION REPLS B822K40-02	A	RF
-001B	B822-40-02-11		1	DISPENSER, LIQUID SOAP ENGLISH - GERMAN	B	RF
-002B	B822K40-02-11		1	DISPENSER, LIQUID SOAP ENGLISH - GERMAN, KEY VERSION	B	RF
-001D	B822-40-02-13		1	DISPENSER, LIQUID SOAP ENGLISH - FRENCH	D	RF
-002D	B822K40-02-13		1	DISPENSER, LIQUID SOAP ENGLISH - FRENCH, KEY VERSION	D	RF
-001E	B822-40-02-14		1	DISPENSER, LIQUID SOAP ENGLISH - SPANISH	E	RF
-002E	B822K40-02-14		1	DISPENSER, LIQUID SOAP ENGLISH - SPANISH, KEY VERSION	E	RF
-001F	B822-40-02-16		1	DISPENSER, LIQUID SOAP ENGLISH - ITALIAN	F	RF
-002F	B822K40-02-16		1	DISPENSER, LIQUID SOAP ENGLISH - ITALIAN	F	RF
-003H	B822-40-05		1	DISPENSER, LIQUID SOAP ENGLISH ALT B822-40-05-00	H	RF

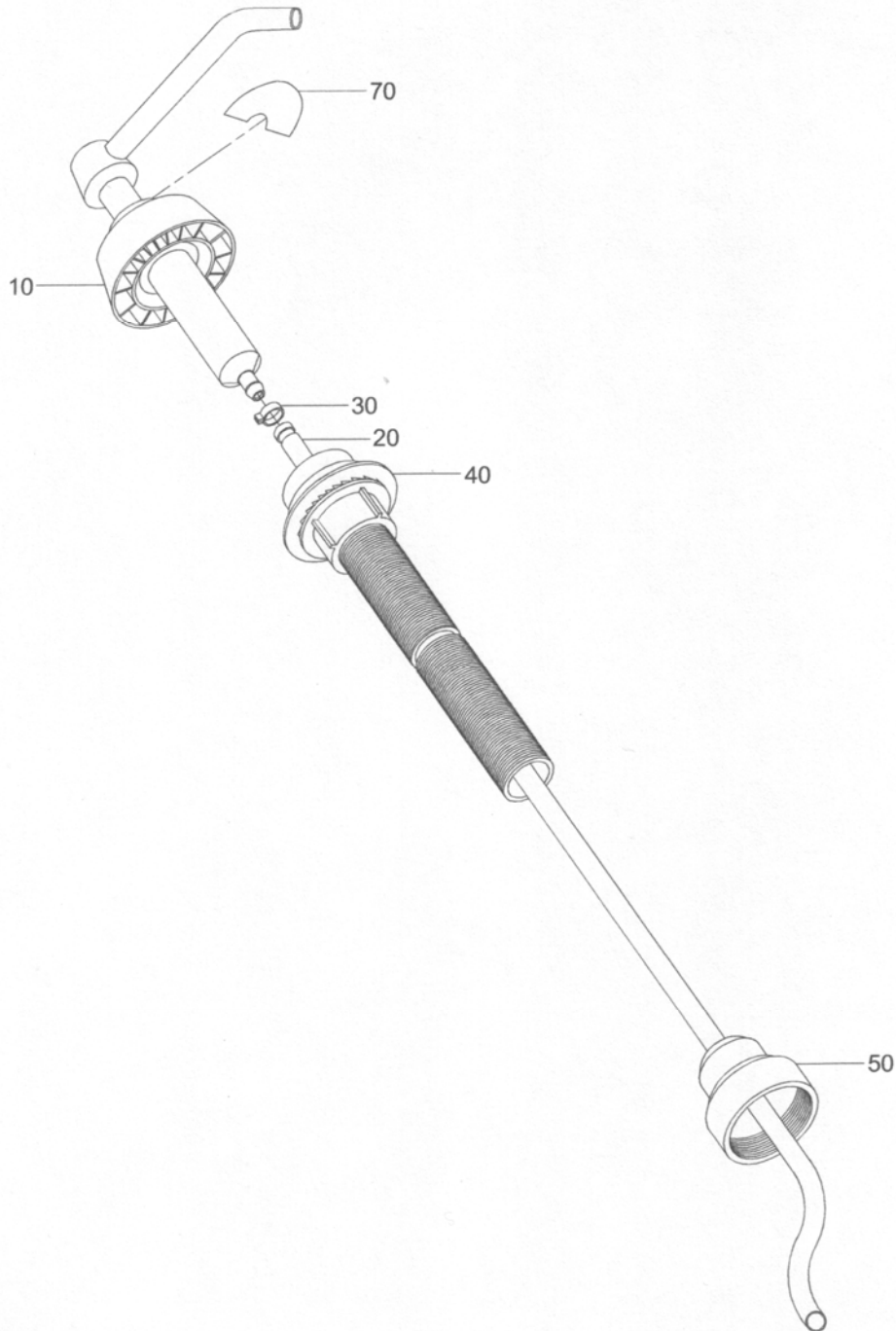
- ITEM NOT ILLUSTRATED

FIG. ITEM	PART NUMBER	AIRLINE STOCK NUMBER	QUANTITY	NOMENCLATURE	EFFECTIVE CODE	UNIT PER ASSY
01C						
-004H	B822K40-05		1	DISPENSER, LIQUID SOAP ENGLISH, KEY VERSION ALT B822K40-05-00	H	RF
-001H	B822-40-05-00		1	DISPENSER, LIQUID SOAP ENGLISH REPLS B822-40-05	H	RF
-002H	B822K40-05-00		1	DISPENSER, LIQUID SOAP ENGLISH, KEY VERSION REPLS B822K40-05	H	RF
-001J	B822-40-05-11		1	DISPENSER, LIQUID SOAP ENGLISH - GERMAN	J	RF
-002J	B822K40-05-11		1	DISPENSER, LIQUID SOAP ENGLISH - GERMAN, KEY VERSION	J	RF
-001L	B822-40-05-13		1	DISPENSER, LIQUID SOAP ENGLISH - FRENCH	L	RF
-002L	B822K40-05-13		1	DISPENSER, LIQUID SOAP ENGLISH - FRENCH, KEY VERSION	L	RF
-001M	B822-40-05-14		1	DISPENSER, LIQUID SOAP ENGLISH - SPANISH	M	RF
-002M	B822K40-05-14		1	DISPENSER, LIQUID SOAP ENGLISH - SPANISH, KEY VERSION	M	RF
-001N	B822-40-05-16		1	DISPENSER, LIQUID SOAP ENGLISH - ITALIAN	N	RF
-002N	B822K40-05-16		1	DISPENSER, LIQUID SOAP ENGLISH - ITALIAN, KEY VERSION	N	RF
010A	B822-23-2		2	PISTON ASSY (SPOUT 4.0")		1
-010B	B822K23-2		2	PISTON ASSY (SPOUT 4.0") KEY VERSION SEE FIG. 02A FOR DET BKDN		1

- ITEM NOT ILLUSTRATED

FIG. ITEM	PART NUMBER	AIRLINE STOCK NUMBER	QTY	NOMENCLATURE	EFF CODE	UNIT PER ASSY
01C						
	020A B822-110-19		2	TUBE, PVC LENGTH 260 MM, 10.24 IN	A-F	1
	-020B B822-110-13		2	TUBE, PVC LENGTH 230 MM, 9.06 IN	H-N	1
	030A MS3367-4		2	TIE, CABLE		1
	040A B822-102-1		2	SHANK ASSY SEE FIG. 03A FOR DET BKDN		1
	-040B B822K102-1		2	SHANK ASSY - KEY VERSION SEE FIG. 03A FOR DET BKDN		1
	050A B822-94		2	ADAPTER		1
	-060A B822-125		2	CONTAINER, PLASTIC SOAP 0,25 L, 0.066 US GAL.	A-F	1
	-060B B822-114		2	CONTAINER, PLASTIC SOAP 0,5 L, 0.132 US GAL	H-N	1
	070A B822-112-00		2	PLACARD BONDED PART ENGLISH	A, H	1
	-070B B822-112-11		2	PLACARD BONDED PART ENGLISH - GERMAN	B, J	1
	-070D B822-112-13		2	PLACARD BONDED PART ENGLISH - FRENCH	D, L	1
	-070E B822-112-14		2	PLACARD BONDED PART ENGLISH - SPANISH	E, M	1
	-070F B822-112-16		2	PLACARD BONDED PART ENGLISH - ITALIAN	F, N	1
	-080A B822-25		2	KEY FOR KEY VERSIONS ONLY		1

- ITEM NOT ILLUSTRATED



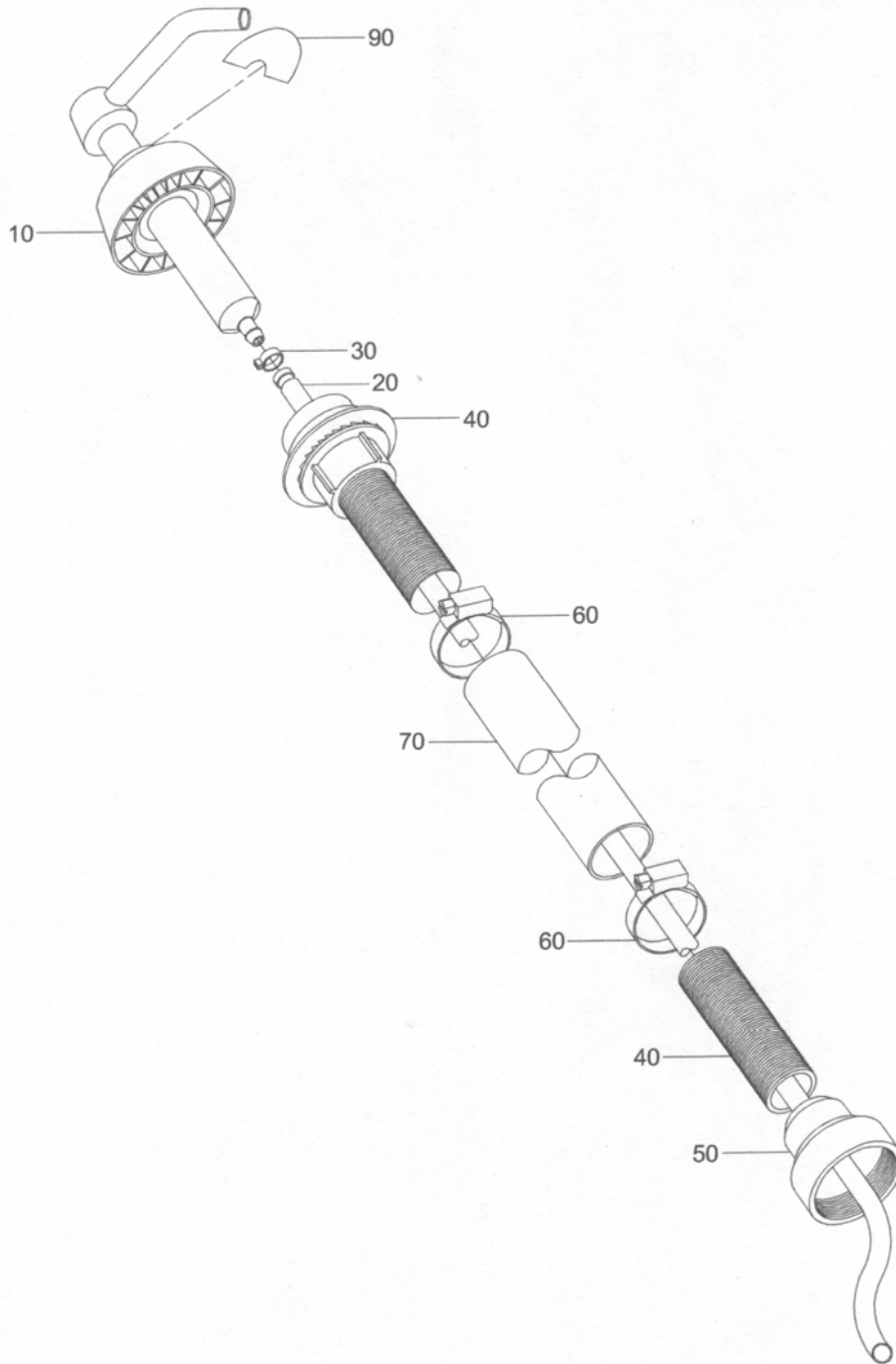
LIQUID SOAP DISPENSER  
FIGURE 1D

FIG. ITEM	PART NUMBER	AIRLINE STOCK NUMBER	QUANTITY	NOMENCLATURE	EFFECTIVE CODE	UNIT PER ASSY
01D						
-003H	B822-40-10		1	DISPENSER, LIQUID SOAP ENGLISH ALT B822-40-10-00	H	RF
-004H	B822K40-10		1	DISPENSER, LIQUID SOAP ENGLISH, KEY VERSION ALT B822K40-10-00	H	RF
-001H	B822-40-10-00		1	DISPENSER, LIQUID SOAP ENGLISH REPLS B822-40-10	H	RF
-002H	B822K40-10-00		1	DISPENSER, LIQUID SOAP ENGLISH, KEY VERSION REPLS B822K40-10	H	RF
-001J	B822-40-10-11		1	DISPENSER, LIQUID SOAP ENGLISH - GERMAN	J	RF
-002J	B822K40-10-11		1	DISPENSER, LIQUID SOAP ENGLISH - GERMAN, KEY VERSION	J	RF
-001L	B822-40-10-13		1	DISPENSER, LIQUID SOAP ENGLISH - FRENCH	L	RF
-002L	B822K40-10-13		1	DISPENSER, LIQUID SOAP ENGLISH - FRENCH, KEY VERSION	L	RF
-001M	B822-40-10-14		1	DISPENSER, LIQUID SOAP ENGLISH - SPANISH	M	RF
-002M	B822K40-10-14		1	DISPENSER, LIQUID SOAP ENGLISH - SPANISH, KEY VERSION	M	RF
-001N	B822-40-10-16		1	DISPENSER, LIQUID SOAP ENGLISH - ITALIAN	N	RF
-002N	B822K40-10-16		1	DISPENSER, LIQUID SOAP ENGLISH - ITALIAN, KEY VERSION	N	RF
010A	B822-23-2		2	PISTON ASSY (SPOUT 4.0") SEE FIG. 02A FOR DET BKDN		1

- ITEM NOT ILLUSTRATED

FIG. ITEM	PART NUMBER	AIRLINE STOCK NUMBER	I N D	NOMENCLATURE	EFF CODE	UNIT PER ASSY
01D						
-010B	B822K23-2		2	PISTON ASSY (SPOUT 4.0") KEY VERSION SEE FIG. 02A FOR DET BKDN		1
020A	B822-110-12		2	TUBE, PVC LENGTH 330 MM, 12.99 IN	H-N	1
030A	MS3367-4		2	TIE, CABLE		1
040A	B822-102-1		2	SHANK ASSY SEE FIG. 03A FOR DET BKDN		1
-040B	B822K102-1		2	SHANK ASSY - KEY VERSION SEE FIG. 03A FOR DET BKDN		1
050A	B822-94		2	ADAPTER		1
-060A	B822-95		2	CONTAINER, PLASTIC SOAP 1 L, 0.265 US GAL	H-N	1
070A	B822-112-00		2	PLACARD BONDED PART ENGLISH	H	1
-070B	B822-112-11		2	PLACARD BONDED PART ENGLISH - GERMAN	J	1
-070D	B822-112-13		2	PLACARD BONDED PART ENGLISH - FRENCH	L	1
-070E	B822-112-14		2	PLACARD BONDED PART ENGLISH - SPANISH	M	1
-070F	B822-112-16		2	PLACARD BONDED PART ENGLISH - ITALIAN	N	1
-080A	B822-25		2	KEY FOR KEY VERSIONS ONLY		1

- ITEM NOT ILLUSTRATED



LIQUID SOAP DISPENSER  
FIGURE 1E

FIG. ITEM	PART NUMBER	AIRLINE STOCK NUMBER	QUANTITY	NOMENCLATURE	EFFECTIVE CODE	UNIT PER ASSY
01E						
-003A	B823-25-02		1	DISPENSER, LIQUID SOAP ENGLISH ALT B823-25-02-00	A	RF
-004A	B823K25-02		1	DISPENSER, LIQUID SOAP ENGLISH, KEY VERSION ALT B823K25-02-00	A	RF
-001A	B823-25-02-00		1	DISPENSER, LIQUID SOAP ENGLISH REPLS B823-25-02	A	RF
-002A	B823K25-02-00		1	DISPENSER, LIQUID SOAP ENGLISH, KEY VERSION REPLS B823K25-02	A	RF
-001B	B823-25-02-11		1	DISPENSER, LIQUID SOAP ENGLISH - GERMAN	B	RF
-002B	B823K25-02-11		1	DISPENSER, LIQUID SOAP ENGLISH - GERMAN, KEY VERSION	B	RF
-001D	B823-25-02-13		1	DISPENSER, LIQUID SOAP ENGLISH - FRENCH	D	RF
-002D	B823K25-02-13		1	DISPENSER, LIQUID SOAP ENGLISH - FRENCH, KEY VERSION	D	RF
-001E	B823-25-02-14		1	DISPENSER, LIQUID SOAP ENGLISH - SPANISH	E	RF
-002E	B823K25-02-14		1	DISPENSER, LIQUID SOAP ENGLISH - SPANISH, KEY VERSION	E	RF
-001F	B823-25-02-16		1	DISPENSER, LIQUID SOAP ENGLISH - ITALIAN	F	RF
-002F	B823K25-02-16		1	DISPENSER, LIQUID SOAP ENGLISH - ITALIAN, KEY VERSION	F	RF
-003H	B823-25-05		1	DISPENSER, LIQUID SOAP ENGLISH ALT B823-25-05-00	H	RF
-004H	B823K25-05		1	DISPENSER, LIQUID SOAP ENGLISH, KEY VERSION ALT B823K25-05-00	H	RF

- ITEM NOT ILLUSTRATED

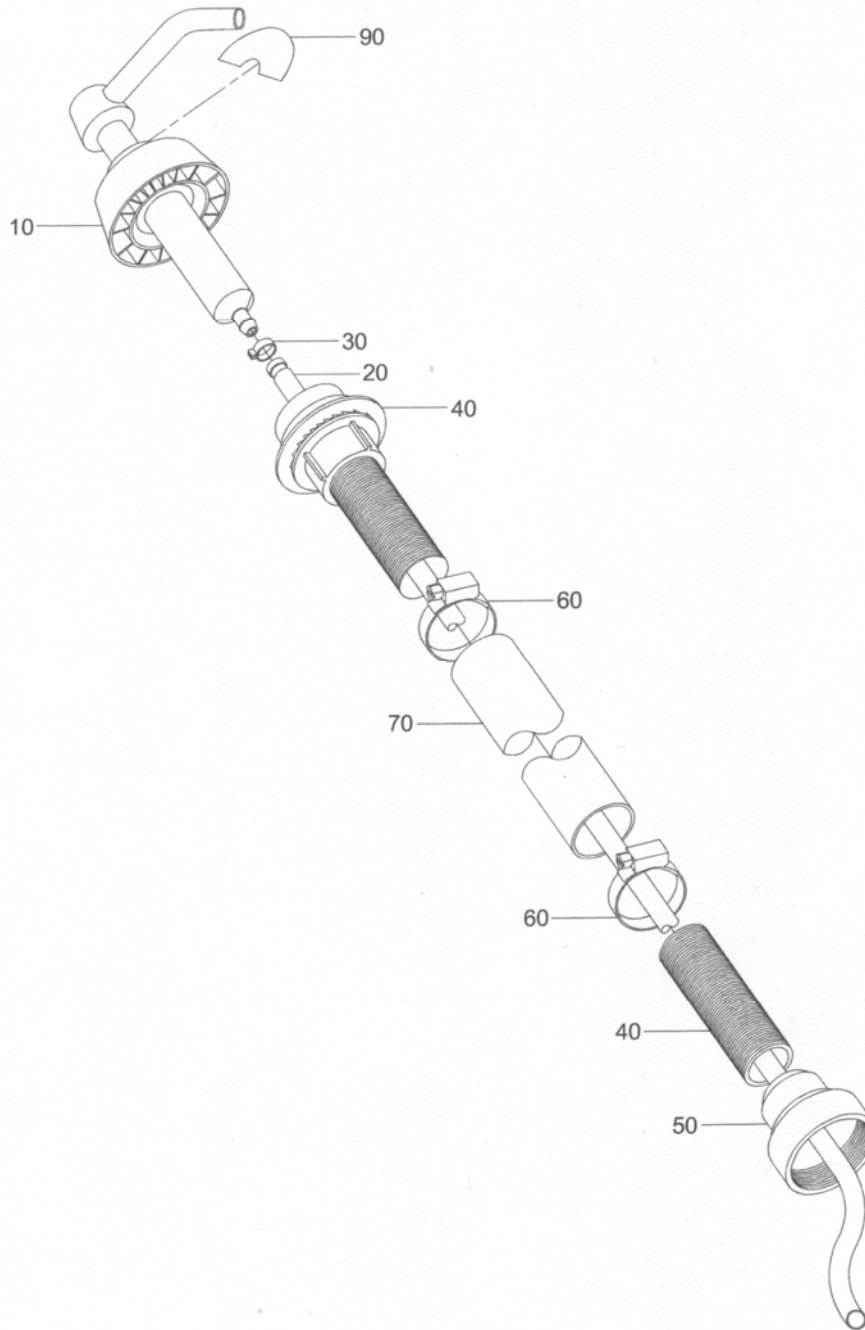


FIG. ITEM	PART NUMBER	AIRLINE STOCK NUMBER	QUANTITY	NOMENCLATURE	EFF CODE	UNIT PER ASSY
01E						
-001H	B823-25-05-00		1	DISPENSER, LIQUID SOAP ENGLISH REPLS B823-25-05	H	RF
-002H	B823K25-05-00		1	DISPENSER, LIQUID SOAP ENGLISH, KEY VERSION REPLS B823K25-05	H	RF
-001J	B823-25-05-11		1	DISPENSER, LIQUID SOAP ENGLISH - GERMAN	J	RF
-002J	B823K25-05-11		1	DISPENSER, LIQUID SOAP ENGLISH - GERMAN, KEY VERSION	J	RF
-001L	B823-25-05-13		1	DISPENSER, LIQUID SOAP ENGLISH - FRENCH	L	RF
-002L	B823K25-05-13		1	DISPENSER, LIQUID SOAP ENGLISH - FRENCH, KEY VERSION	L	RF
-001M	B823-25-05-14		1	DISPENSER, LIQUID SOAP ENGLISH - SPANISH	M	RF
-002M	B823K25-05-14		1	DISPENSER, LIQUID SOAP ENGLISH - SPANISH, KEY VERSION	M	RF
-001N	B823-25-05-16		1	DISPENSER, LIQUID SOAP ENGLISH - ITALIAN	N	RF
-002N	B823K25-05-16		1	DISPENSER, LIQUID SOAP ENGLISH - ITALIAN, KEY VERSION	N	RF
010A	B822-23-3		2	PISTON ASSY (SPOUT 2.5") SEE FIG. 02A FOR DET BKDN		1
-010B	B822K23-3		2	PISTON ASSY (SPOUT 2.5") KEY VERSION SEE FIG. 01A FOR DET BKDN		1
020A	B822-110-18		2	TUBE, PVC LENGTH 1070 MM, 42.13 IN	A-F	1
-020B	B822-110-16		2	TUBE, PVC LENGTH 1040 MM, 40.94 IN	H-N	1
030A	MS3367-4		2	TIE, CABLE		1

- ITEM NOT ILLUSTRATED

FIG. ITEM	PART NUMBER	AIRLINE STOCK NUMBER	QUANTITY	NOMENCLATURE	EFF CODE	UNIT PER ASSY
01E						
040A	B822-102-1		2	SHANK ASSY SEE FIG. 03A FOR DET BKDN		1
-040B	B822K102-1		2	SHANK ASSY - KEY VERSION SEE FIG. 03A FOR DET BKDN		1
050A	B822-94		2	ADAPTER		1
060A	DI N3017AL2032W3		2	CLAMP OPN DI N3017AL20-32W3 OPT AN737TW44	V88044	2
070A	B822-111-12		2	TUBE, PVC		1
-080A	B822-125		2	CONTAINER, PLASTIC SOAP 0,25 L, 0.066 US GAL.	A-F	1
-080B	B822-114		2	CONTAINER, PLASTIC SOAP 0,5 L, 0.132 US GAL	H-N	1
090A	B822-112-00		2	PLACARD BONDED PART ENGLISH	A, H	1
-090B	B822-112-11		2	PLACARD BONDED PART ENGLISH - GERMAN	B, J	1
-090D	B822-112-13		2	PLACARD BONDED PART ENGLISH - FRENCH	D, L	1
-090E	B822-112-14		2	PLACARD BONDED PART ENGLISH - SPANISH	E, M	1
-090F	B822-112-16		2	PLACARD BONDED PART ENGLISH - ITALIAN	F, N	1
-100A	B822-118		2	HOLDER ASSY		1
-110A	B822-118-11		3	HOLDER		1
-120A	MS3367-2		3	TIE, CABLE		1
-130A	B822-25		2	KEY FOR KEY VERSIONS ONLY		1

- ITEM NOT ILLUSTRATED



LIQUID SOAP DISPENSER  
FIGURE 1F

FIG. ITEM	PART NUMBER	AIRLINE STOCK NUMBER	QUANTITY	NOMENCLATURE	EFF CODE	UNIT PER ASSY
01F						
-003H	B823-25-10		1	DISPENSER, LIQUID SOAP ENGLISH ALT B823-25-10-00	H	RF
-004H	B823K25-10		1	DISPENSER, LIQUID SOAP ENGLISH, KEY VERSION ALT B823K25-10-00	H	RF
-001H	B823-25-10-00		1	DISPENSER, LIQUID SOAP ENGLISH REPLS B823-25-10	H	RF
-002H	B823K25-10-00		1	DISPENSER, LIQUID SOAP ENGLISH, KEY VERSION REPLS B823K25-10	H	RF
-001J	B823-25-10-11		1	DISPENSER, LIQUID SOAP ENGLISH - GERMAN	J	RF
-002J	B823K25-10-11		1	DISPENSER, LIQUID SOAP ENGLISH - GERMAN, KEY VERSION	J	RF
-001L	B823-25-10-13		1	DISPENSER, LIQUID SOAP ENGLISH - FRENCH	L	RF
-002L	B823K25-10-13		1	DISPENSER, LIQUID SOAP ENGLISH - FRENCH, KEY VERSION	L	RF
-001M	B823-25-10-14		1	DISPENSER, LIQUID SOAP ENGLISH - SPANISH	M	RF
-002M	B823K25-10-14		1	DISPENSER, LIQUID SOAP ENGLISH - SPANISH, KEY VERSION	M	RF
-001N	B823-25-10-16		1	DISPENSER, LIQUID SOAP ENGLISH - ITALIAN	N	RF
-002N	B823K25-10-16		1	DISPENSER, LIQUID SOAP ENGLISH - ITALIAN, KEY VERSION	N	RF
010A	B822-23-3		2	PISTON ASSY (SPOUT 2.5") SEE FIG. 02A FOR DET BKDN		1

- ITEM NOT ILLUSTRATED

FIG. ITEM	PART NUMBER	AIRLINE STOCK NUMBER	QUANTITY	NOMENCLATURE	EFF CODE	UNIT PER ASSY
01F						
-010B	B822K23-3		2	PISTON ASSY (SPOUT 2.5") KEY VERSION SEE FIG. 02A FOR DET BKDN		1
020A	B822-110-15		2	TUBE, PVC LENGTH 1140 MM, 44.88 IN	H-N	1
030A	MS3367-4		2	TIE, CABLE		1
040A	B822-102-1		2	SHANK ASSY SEE FIG. 03A FOR DET BKDN		1
-040B	B822K102-1		2	SHANK ASSY - KEY VERSION SEE FIG. 03A FOR DET BKDN		1
050A	B822-94		2	ADAPTER		1
060A	DI N3017AL2032W3		2	CLAMP OPN DI N3017AL20-32W3 OPT AN737TW44 V88044		2
070A	B822-111-12		2	TUBE, PVC		1
-080A	B822-95		2	CONTAINER, PLASTIC SOAP 1 L, 0.265 US GAL	H-N	1
090A	B822-112-00		2	PLACARD BONDED PART ENGLISH	H	1
-090B	B822-112-11		2	PLACARD BONDED PART ENGLISH - GERMAN	J	1
-090D	B822-112-13		2	PLACARD BONDED PART ENGLISH - FRENCH	L	1
-090E	B822-112-14		2	PLACARD BONDED PART ENGLISH - SPANISH	M	1
-090F	B822-112-16		2	PLACARD BONDED PART ENGLISH - ITALIAN	N	1

- ITEM NOT ILLUSTRATED



**COMPONENT MAINTENANCE MANUAL**  
**SOAP DISPENSERS**  
**SEIFENSPENDER**  
**B82X SERIES**

No.: 25-40-01  
Issue: D  
Date: May 02/2022

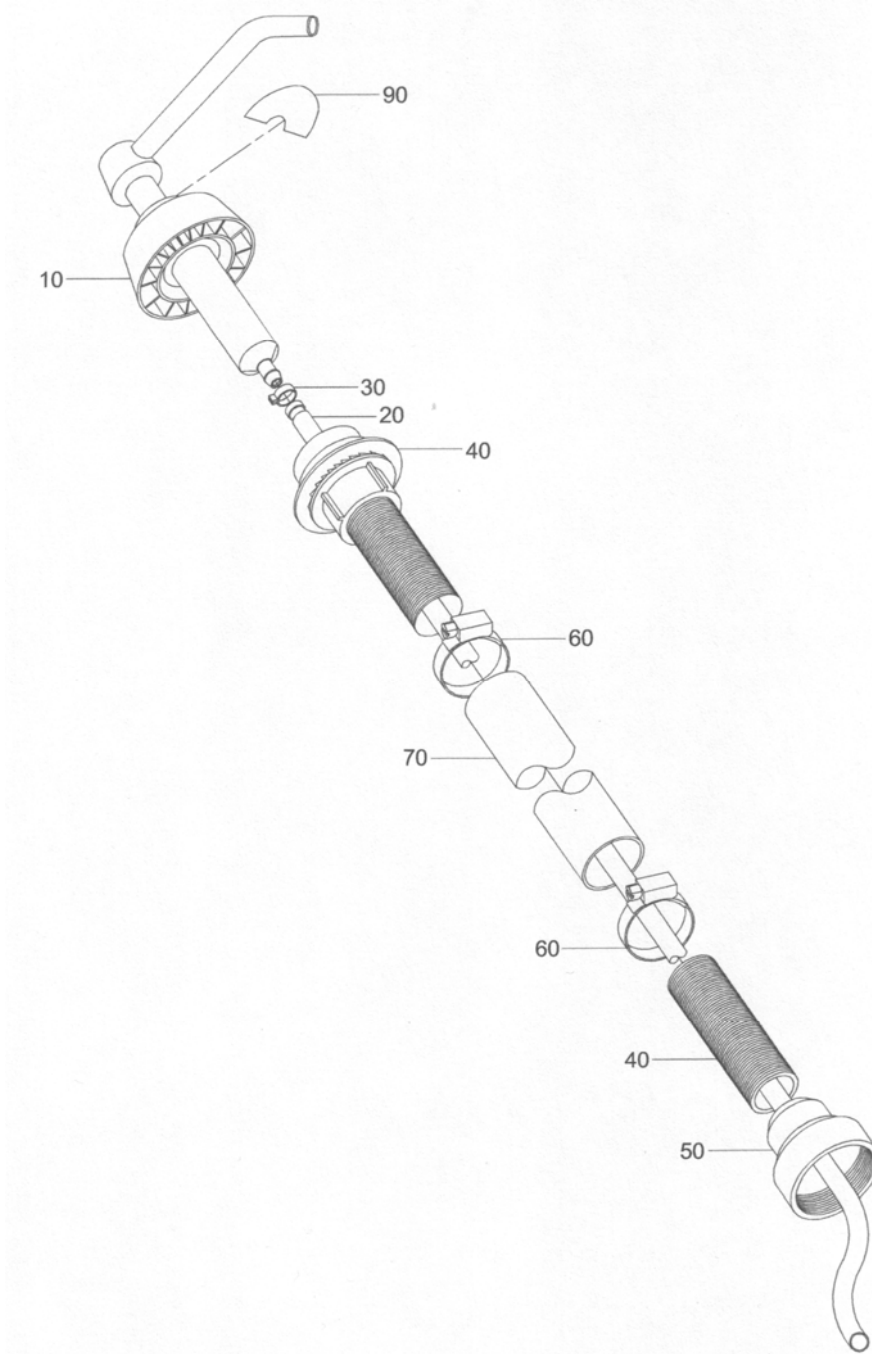
FIG. PART NUMBER	AIRLINE	I	NOMENCLATURE	EFF	UNIT
ITEM	STOCK	N		CODE	PER
	NUMBER	D			ASSY
01F					
-100A	B822-118	2	HOLDER ASSY		1
-110A	B822-118-11	3	HOLDER		1
-120A	MS3367-2	3	TIE, CABLE		1
-130A	B822-25	2	KEY		1
FOR KEY VERSIONS ONLY					

- ITEM NOT ILLUSTRATED

PAGE  
10001F-3

**25-40-01**

May 02/2022



LIQUID SOAP DISPENSER  
FIGURE 1G

FIG. ITEM	PART NUMBER	AIRLINE STOCK NUMBER	QUANTITY	NOMENCLATURE	EFFECTIVE CODE	UNIT PER ASSY
01G						
-003A	B823-40-02		1	DISPENSER, LIQUID SOAP ENGLISH ALT B823-40-02-00	A	RF
-004A	B823K40-02		1	DISPENSER, LIQUID SOAP ENGLISH, KEY VERSION ALT B823K40-02-00	A	RF
-001A	B823-40-02-00		1	DISPENSER, LIQUID SOAP ENGLISH REPLS B823-40-02	A	RF
-002A	B823K40-02-00		1	DISPENSER, LIQUID SOAP ENGLISH, KEY VERSION REPLS B823K40-02	A	RF
-001B	B823-40-02-11		1	DISPENSER, LIQUID SOAP ENGLISH - GERMAN	B	RF
-002B	B823K40-02-11		1	DISPENSER, LIQUID SOAP ENGLISH - GERMAN, KEY VERSION	B	RF
-001D	B823-40-02-13		1	DISPENSER, LIQUID SOAP ENGLISH - FRENCH	D	RF
-002D	B823K40-02-13		1	DISPENSER, LIQUID SOAP ENGLISH - FRENCH, KEY VERSION	D	RF
-001E	B823-40-02-14		1	DISPENSER, LIQUID SOAP ENGLISH - SPANISH	E	RF
-002E	B823K40-02-14		1	DISPENSER, LIQUID SOAP ENGLISH - SPANISH, KEY VERSION	E	RF
-001F	B823-40-02-16		1	DISPENSER, LIQUID SOAP ENGLISH - ITALIAN	F	RF
-002F	B823K40-02-16		1	DISPENSER, LIQUID SOAP ENGLISH - ITALIAN, KEY VERSION	F	RF
-003H	B823-40-05		1	DISPENSER, LIQUID SOAP ENGLISH ALT B823-40-05-00	H	RF
-004H	B823K40-05		1	DISPENSER, LIQUID SOAP ENGLISH, KEY VERSION ALT B823K40-05-00	H	RF

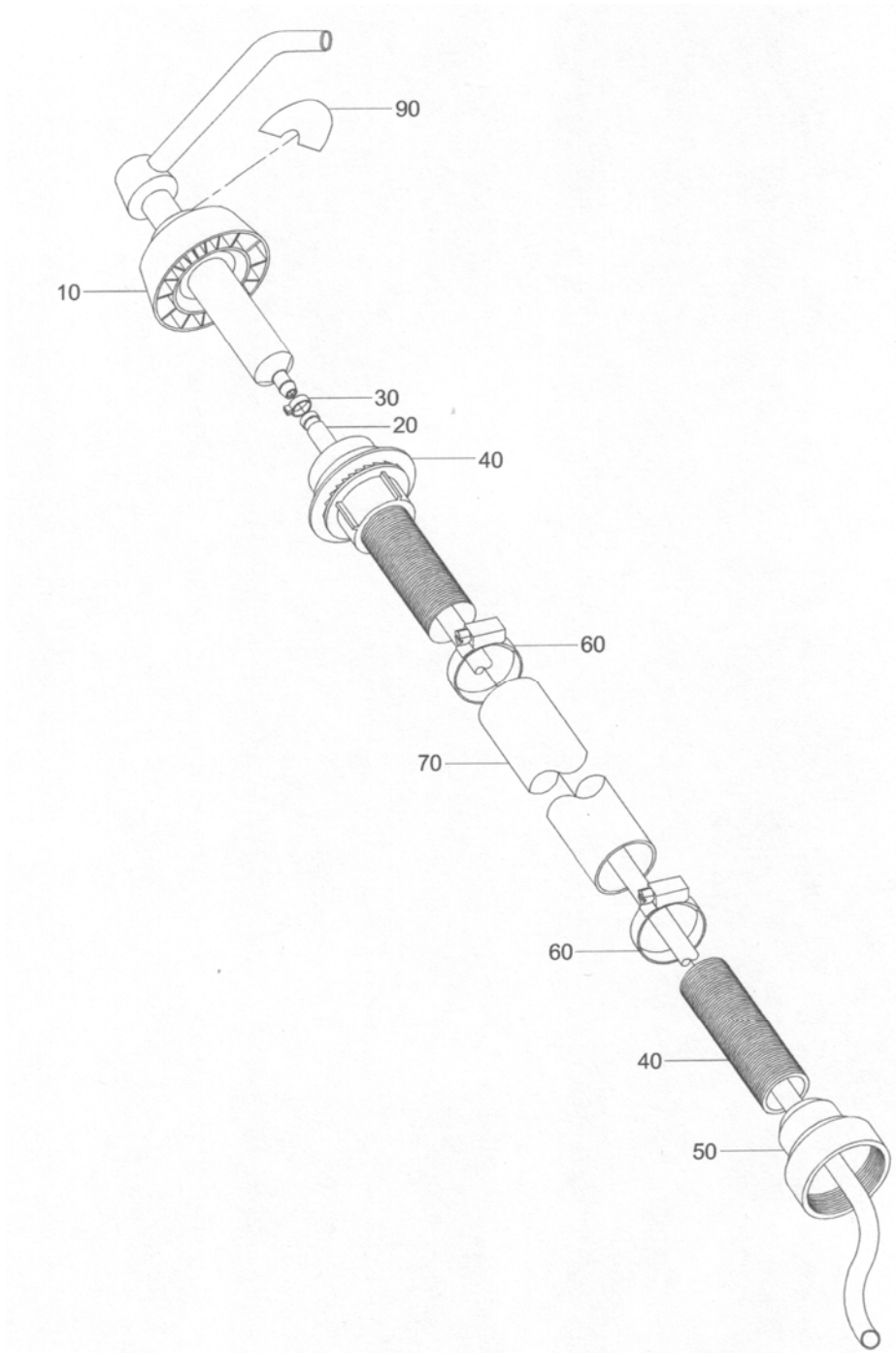
- ITEM NOT ILLUSTRATED



FIG. ITEM	PART NUMBER	AIRLINE STOCK NUMBER	QUANTITY	NOMENCLATURE	EFF CODE	UNIT PER ASSY
01G						
-001H	B823-40-05-00		1	DISPENSER, LIQUID SOAP ENGLISH REPLS B823-40-05	H	RF
-002H	B823K40-05-00		1	DISPENSER, LIQUID SOAP ENGLISH, KEY VERSION REPLS B823K40-05	H	RF
-001J	B823-40-05-11		1	DISPENSER, LIQUID SOAP ENGLISH - GERMAN	J	RF
-002J	B823K40-05-11		1	DISPENSER, LIQUID SOAP ENGLISH - GERMAN, KEY VERSION	J	RF
-001L	B823-40-05-13		1	DISPENSER, LIQUID SOAP ENGLISH - FRENCH	L	RF
-002L	B823K40-05-13		1	DISPENSER, LIQUID SOAP ENGLISH - FRENCH, KEY VERSION	L	RF
-001M	B823-40-05-14		1	DISPENSER, LIQUID SOAP ENGLISH - SPANISH	M	RF
-002M	B823K40-05-14		1	DISPENSER, LIQUID SOAP ENGLISH - SPANISH, KEY VERSION	M	RF
-001N	B823-40-05-16		1	DISPENSER, LIQUID SOAP ENGLISH - ITALIAN	N	RF
-002N	B823K40-05-16		1	DISPENSER, LIQUID SOAP ENGLISH - ITALIAN, KEY VERSION	N	RF
-0010	B823-40-05-99		1	DISPENSER, LIQUID SOAP WITHOUT PLACARD	0	RF
010A	B822-23-2		2	PISTON ASSY (SPOUT 4.0") SEE FIG. 02A FOR DET BKDN		1
-010B	B822K23-2		2	PISTON ASSY (SPOUT 4.0") KEY VERSION SEE FIG. 02A FOR DET BKDN		1
020A	B822-110-18		2	TUBE, PVC LENGTH 1070 MM, 42.13 IN	A-F	1
-020B	B822-110-16		2	TUBE, PVC LENGTH 1040 MM, 40.94 IN	H-N	1
- ITEM NOT ILLUSTRATED						

FIG. ITEM	PART NUMBER	AIRLINE STOCK NUMBER	I N D	NOMENCLATURE	EFF CODE	UNIT PER ASSY
01G						
	030A MS3367-4		2	TIE, CABLE		1
	040A B822-102-1		2	SHANK ASSY SEE FIG. 03A FOR DET BKDN		1
	-040B B822K102-1		2	SHANK ASSY - KEY VERSION SEE FIG. 03A FOR DET BKDN		1
	050A B822-94		2	ADAPTER		1
	060A DIN3017AL2032W3		2	CLAMP OPN DIN3017AL20-32W3 OPT AN737TW44 V88044		2
	070A B822-111-12		2	TUBE, PVC		1
	-080A B822-125		2	CONTAINER, PLASTIC SOAP 0,25 L, 0.066 US GAL.	A-F	1
	-080B B822-114		2	CONTAINER, PLASTIC SOAP 0,5 L, 0.132 US GAL	H-N	1
	090A B822-112-00		2	PLACARD BONDED PART ENGLISH	A, H	1
	-090B B822-112-11		2	PLACARD BONDED PART ENGLISH - GERMAN	B, J	1
	-090D B822-112-13		2	PLACARD BONDED PART ENGLISH - FRENCH	D, L	1
	-090E B822-112-14		2	PLACARD BONDED PART ENGLISH - SPANISH	E, M	1
	-090F B822-112-16		2	PLACARD BONDED PART ENGLISH - ITALIAN	F, N	1
	-100A B822-118		2	HOLDER ASSY		1
	-110A B822-118-11		3	HOLDER		1
	-120A MS3367-2		3	TIE, CABLE		1
	-130A B822-25		2	KEY FOR KEY VERSIONS ONLY		1

- ITEM NOT ILLUSTRATED



LIQUID SOAP DISPENSER  
FIGURE 1H

FIG. ITEM	PART NUMBER	AIRLINE STOCK NUMBER	QUANTITY	NOMENCLATURE	EFF CODE	UNIT PER ASSY
01H						
-003H	B823-40-10		1	DISPENSER, LIQUID SOAP ENGLISH ALT B823-40-10-00	H	RF
-004H	B823K40-10		1	DISPENSER, LIQUID SOAP ENGLISH, KEY VERSION ALT B823K40-10-00	H	RF
-001H	B823-40-10-00		1	DISPENSER, LIQUID SOAP ENGLISH REPLS B823-40-10	H	RF
-002H	B823K40-10-00		1	DISPENSER, LIQUID SOAP ENGLISH, KEY VERSION REPLS B823K40-10	H	RF
-001J	B823-40-10-11		1	DISPENSER, LIQUID SOAP ENGLISH - GERMAN	J	RF
-002J	B823K40-10-11		1	DISPENSER, LIQUID SOAP ENGLISH - GERMAN, KEY VERSION	J	RF
-001L	B823-40-10-13		1	DISPENSER, LIQUID SOAP ENGLISH - FRENCH	L	RF
-002L	B823K40-10-13		1	DISPENSER, LIQUID SOAP ENGLISH - FRENCH, KEY VERSION	L	RF
-001M	B823-40-10-14		1	DISPENSER, LIQUID SOAP ENGLISH - SPANISH	M	RF
-002M	B823K40-10-14		1	DISPENSER, LIQUID SOAP ENGLISH - SPANISH, KEY VERSION	M	RF
-001N	B823-40-10-16		1	DISPENSER, LIQUID SOAP ENGLISH - ITALIAN	N	RF
-002N	B823K40-10-16		1	DISPENSER, LIQUID SOAP ENGLISH - ITALIAN, KEY VERSION	N	RF
-0010	B823-40-10-99		1	DISPENSER, LIQUID SOAP WITHOUT PLACARD	0	RF
010A	B822-23-2		2	PISTON ASSY (SPOUT 4.0") SEE FIG. 02A FOR DET BKDN		1
- ITEM NOT ILLUSTRATED						

FIG. ITEM	PART NUMBER	AIRLINE STOCK NUMBER	QUANTITY	NOMENCLATURE	EFF CODE	UNIT PER ASSY
01H						
-010B	B822K23-2		2	PISTON ASSY (SPOUT 4.0") KEY VERSION SEE FIG. 02A FOR DET BKDN		1
020A	B822-110-15		2	TUBE, PVC LENGTH 1140 MM, 44.88 IN	H-N	1
030A	MS3367-4		2	TIE, CABLE		1
040A	B822-102-1		2	SHANK ASSY SEE FIG. 03A FOR DET BKDN		1
-040B	B822K102-1		2	SHANK ASSY - KEY VERSION SEE FIG. 03A FOR DET BKDN		
050A	B822-94		2	ADAPTER		1
060A	DI N3017AL2032W3		2	CLAMP OPN DI N3017AL20-32W3 OPT AN737TW44 V88044		2
070A	B822-111-12		2	TUBE, PVC		1
-080A	B822-95		2	CONTAINER, PLASTIC SOAP 1 L, 0.265 US GAL	H-N	1
090A	B822-112-00		2	PLACARD BONDED PART ENGLISH	H	1
-090B	B822-112-11		2	PLACARD BONDED PART ENGLISH - GERMAN	J	1
-090D	B822-112-13		2	PLACARD BONDED PART ENGLISH - FRENCH	L	1
-090E	B822-112-14		2	PLACARD BONDED PART ENGLISH - SPANISH	M	1
-090F	B822-112-16		2	PLACARD BONDED PART ENGLISH - ITALIAN	N	1

- ITEM NOT ILLUSTRATED



**COMPONENT MAINTENANCE MANUAL**  
**SOAP DISPENSERS**  
**SEIFENSPENDER**  
**B82X SERIES**

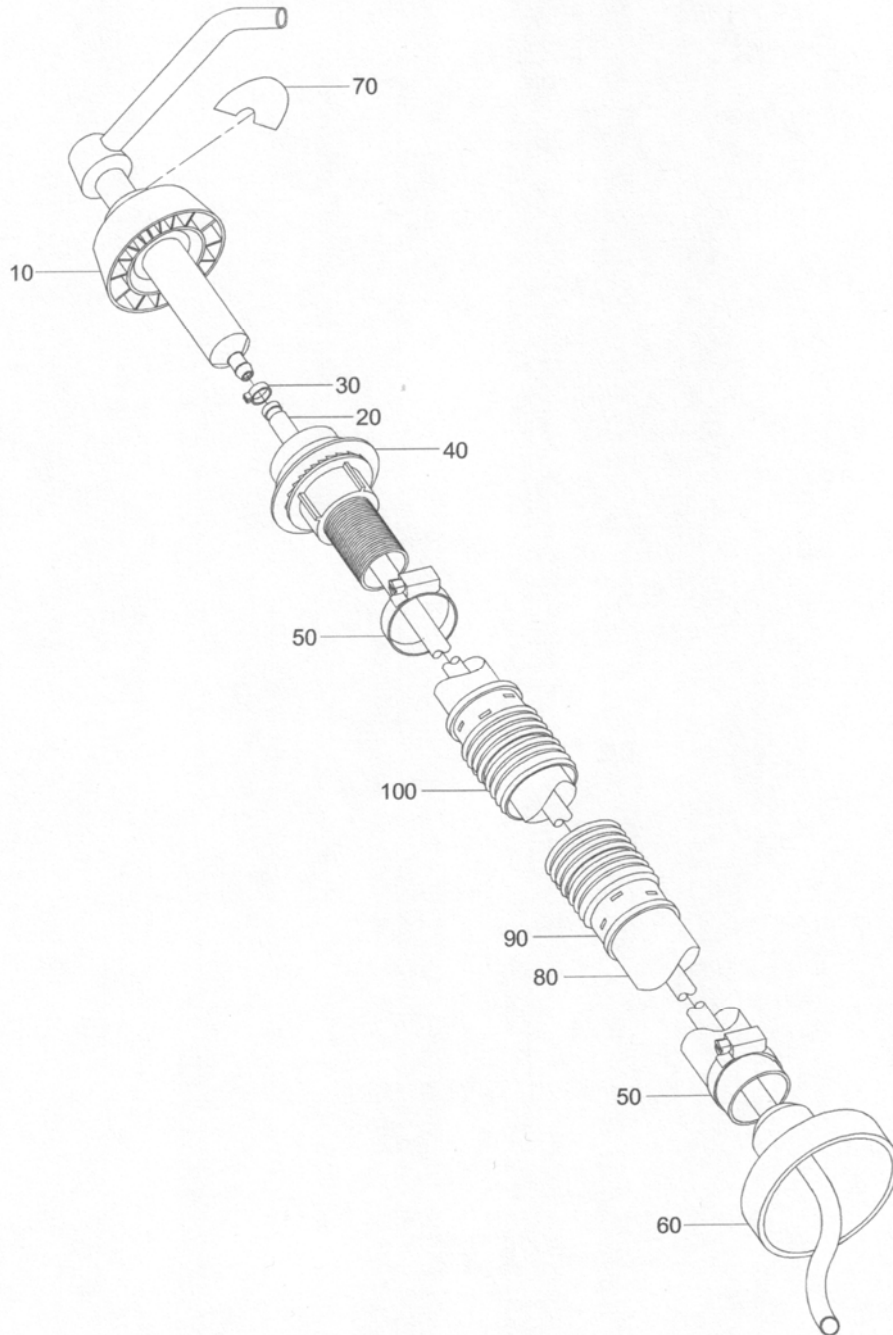
No.: 25-40-01  
Issue: D  
Date: May 02/2022

FIG. PART NUMBER	AIRLINE	I	NOMENCLATURE	EFF	UNIT
ITEM	STOCK	N		CODE	PER
	NUMBER	D			ASSY

01H

-100A	B822-118	2	HOLDER ASSY		1
-110A	B822-118-11	3	HOLDER		1
-120A	MS3367-2	3	TIE, CABLE		1
-130A	B822-25	2	KEY		1
			FOR KEY VERSIONS ONLY		

- ITEM NOT ILLUSTRATED



LIQUID SOAP DISPENSER  
FIGURE 11

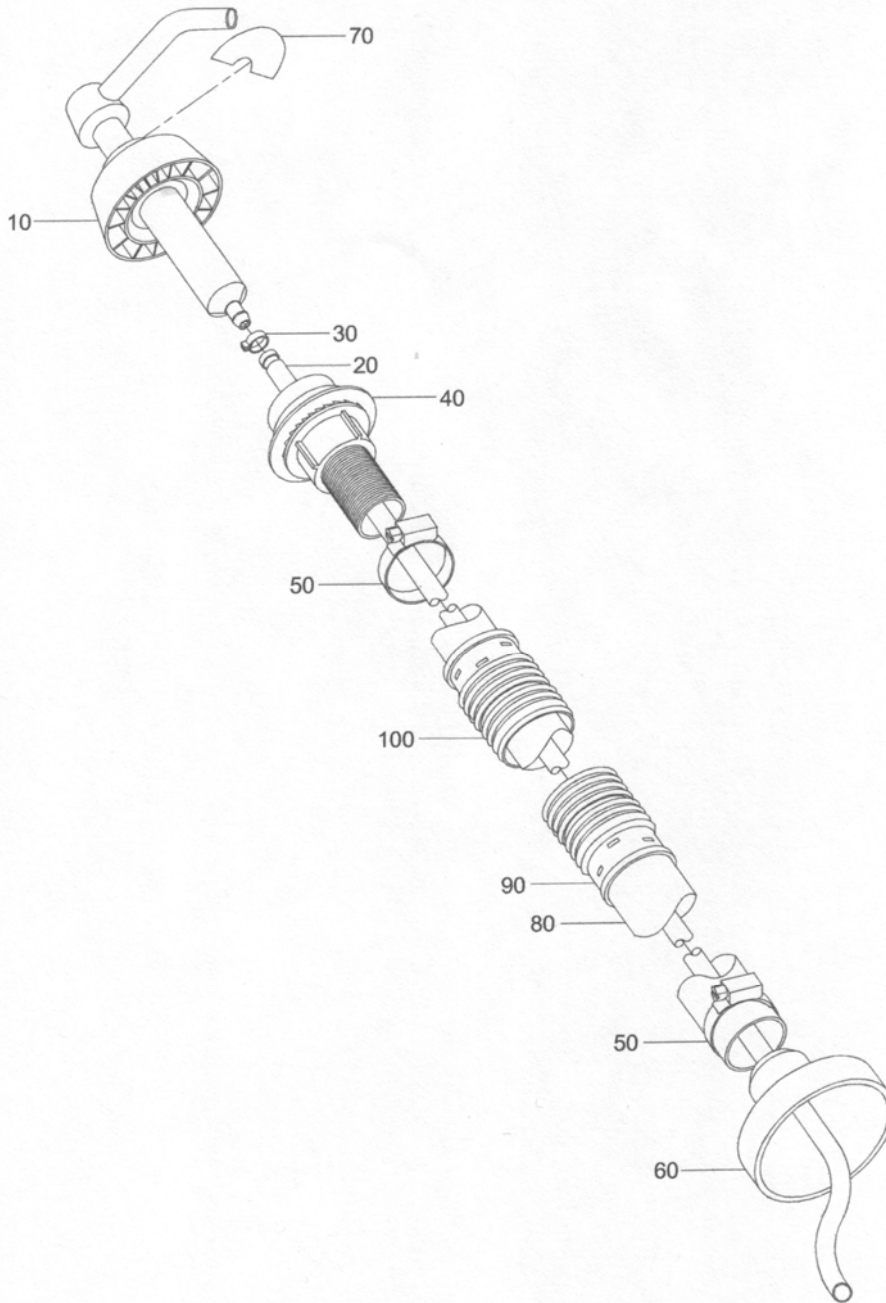
FIG. ITEM	PART NUMBER	AIRLINE STOCK NUMBER	QUANTITY	NOMENCLATURE	EFF CODE	UNIT PER ASSY
011						
-001A	B825-40-10-11		1	DISPENSER, LIQUID SOAP ENGLISH - GERMAN ALT B828-40-24-11	A	RF
-001B	B825K40-10		1	DISPENSER, LIQUID SOAP ENGLISH, KEY VERSION ALT B828K40-24-11	B	RF
010A	B822-23-2		2	PISTON ASSY (SPOUT 4.0") SEE FIG. 02A FOR DET BKDN		1
-010B	B822K23-2		2	PISTON ASSY (SPOUT 4.0") KEY VERSION SEE FIG. 02A FOR DET BKDN		1
020A	B822-110-15		2	TUBE, PVC LENGTH 1140 MM, 44.88 IN	A-B	1
030A	MS3367-4		2	TIE, CABLE		1
040A	B822-102-1		2	SHANK ASSY SEE FIG. 03A FOR DET BKDN		1
-040B	B822K102-1		2	SHANK ASSY - KEY VERSION SEE FIG. 03A FOR DET BKDN		1
050A	DI N3017AL2032W3		2	CLAMP OPN DI N3017AL20-32W3 OPT AN737TW44 V88044		2
060A	B822-204		2	CONTAINER, ALUMINIUM SOAP 1 L, 0.265 US GAL	A-B	1
070A	B822-112-00		2	PLACARD BONDED PART ENGLISH	B	1
-070B	B822-112-11		2	PLACARD BONDED PART ENGLISH - GERMAN	A	1
080A	B822-202S12		2	TUBE, SILICON		1
090A	B822-202-14		2	SLEEVE		2
100A	B822-202M12		2	PIPE, FLEXIBLE METAL		1

- ITEM NOT ILLUSTRATED



FIG. ITEM	PART NUMBER	AIRLINE STOCK NUMBER	I N D	NOMENCLATURE	EFF CODE	UNIT PER ASSY
011						
-110A	B822-25		2	KEY FOR KEY VERSIONS ONLY		1
-120A	B822-118		2	HOLDER ASSY		1
-130A	B822-118-11		3	HOLDER		1
-140A	MS3367-2		3	TIE, CABLE		1

- ITEM NOT ILLUSTRATED



LIQUID SOAP DISPENSER  
FIGURE 1J

FIG. ITEM	PART NUMBER	AIRLINE STOCK NUMBER	QUANTITY	NOMENCLATURE	EFFECTIVE CODE	UNIT PER ASSY
01J						
-001A	B828-25-07-00		1	DISPENSER, LIQUID SOAP ENGLISH	A	RF
-002A	B828K25-07-00		1	DISPENSER, LIQUID SOAP ENGLISH, KEY VERSION	A	RF
-001B	B828-25-07-11		1	DISPENSER, LIQUID SOAP ENGLISH - GERMAN	B	RF
-002B	B828K25-07-11		1	DISPENSER, LIQUID SOAP ENGLISH - GERMAN, KEY VERSION	B	RF
-001C	B828-25-07-13		1	DISPENSER, LIQUID SOAP ENGLISH - FRENCH	C	RF
-002C	B828K25-07-13		1	DISPENSER, LIQUID SOAP ENGLISH - FRENCH, KEY VERSION	C	RF
-001D	B828-25-07-14		1	DISPENSER, LIQUID SOAP ENGLISH - SPANISH	D	RF
-002D	B828K25-07-14		1	DISPENSER, LIQUID SOAP ENGLISH - SPANISH, KEY VERSION	D	RF
-001E	B828-25-07-16		1	DISPENSER, LIQUID SOAP ENGLISH - ITALIAN	E	RF
-002E	B828K25-07-16		1	DISPENSER, LIQUID SOAP ENGLISH - ITALIAN, KEY VERSION	E	RF
-001F	B828-25-17-00		1	DISPENSER, LIQUID SOAP ENGLISH	F	RF
-002F	B828K25-17-00		1	DISPENSER, LIQUID SOAP ENGLISH, KEY VERSION	F	RF
-001G	B828-25-17-11		1	DISPENSER, LIQUID SOAP ENGLISH - GERMAN	G	RF
-002G	B828K25-17-11		1	DISPENSER, LIQUID SOAP ENGLISH - GERMAN, KEY VERSION	G	RF
-001H	B828-25-17-13		1	DISPENSER, LIQUID SOAP ENGLISH - FRENCH	H	RF

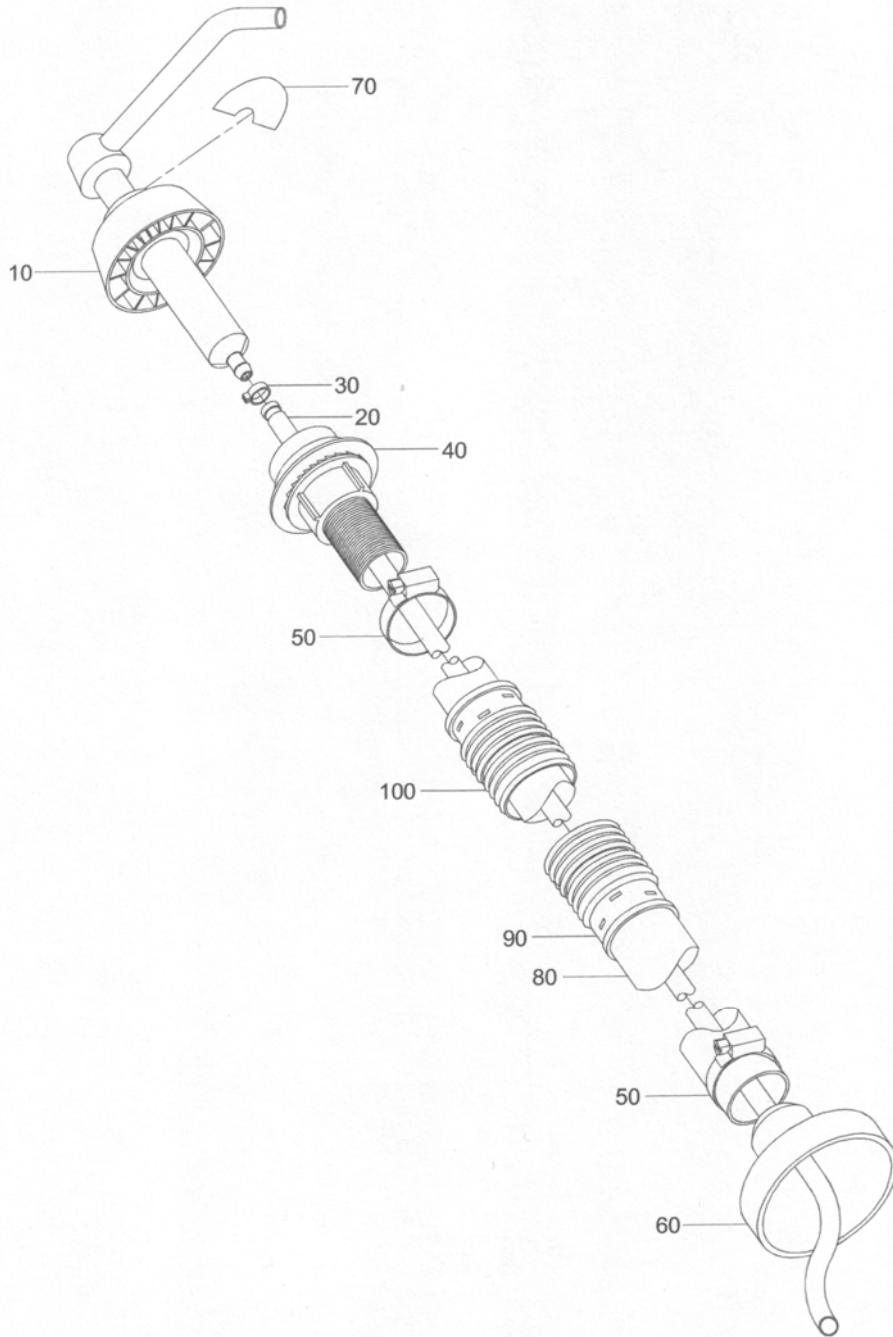
- ITEM NOT ILLUSTRATED

FIG. ITEM	PART NUMBER	AIRLINE STOCK NUMBER	QUANTITY	NOMENCLATURE	EFF CODE	UNIT PER ASSY
01J						
-002H	B828K25-17-13		1	DISPENSER, LIQUID SOAP ENGLISH - FRENCH, KEY VERSION	H	RF
-001J	B828-25-17-14		1	DISPENSER, LIQUID SOAP ENGLISH - SPANISH	J	RF
-002J	B828K25-17-14		1	DISPENSER, LIQUID SOAP ENGLISH - SPANISH, KEY VERSION	J	RF
-001K	B828-25-17-16		1	DISPENSER, LIQUID SOAP ENGLISH - ITALIAN	K	RF
-002K	B828K25-17-16		1	DISPENSER, LIQUID SOAP ENGLISH - ITALIAN, KEY VERSION	K	RF
010A	B822-23-3		2	PISTON ASSY (SPOUT 2.5") SEE FIG. 02A FOR DET BKDN		1
-010B	B822K23-3		2	PISTON ASSY (SPOUT 2.5") KEY VERSION SEE FIG. 02A FOR DET BKDN		1
020A	B822-110-20		2	TUBE, PVC LENGTH 1000 MM, 39.37 IN	A-E	1
-020B	B822-110-21		2	TUBE, PVC LENGTH 1080 MM, 42.52 IN	F-K	1
030A	MS3367-4		2	TIE, CABLE		1
040A	B822-102-1		2	SHANK ASSY SEE FIG. 03A FOR DET BKDN		1
-040B	B822K102-1		2	SHANK ASSY - KEY VERSION SEE FIG. 03A FOR DET BKDN		1
050A	DI N3017AL2032W3		2	CLAMP OPN DI N3017AL20-32W3 OPT AN737TW44 V88044		2
060A	B822-70		2	CONTAINER, LEXAN SOAP 0,5 L, 0.132 US GAL	A-E	1
-060B	B822-170		2	CONTAINER, LEXAN SOAP 1 L, 0.265 US GAL	F-K	1

- ITEM NOT ILLUSTRATED

FIG. ITEM	PART NUMBER	AIRLINE STOCK NUMBER	QUANTITY	NOMENCLATURE	EFF CODE	UNIT PER ASSY
01J						
	070A B822-112-00		2	PLACARD BONDED PART ENGLISH	A, F	1
	-070B B822-112-11		2	PLACARD BONDED PART ENGLISH - GERMAN	B, G	1
	-070D B822-112-13		2	PLACARD BONDED PART ENGLISH - FRENCH	C, H	1
	-070E B822-112-14		2	PLACARD BONDED PART ENGLISH - SPANISH	D, J	1
	-070F B822-112-16		2	PLACARD BONDED PART ENGLISH - ITALIAN	E, K	1
	080A B822-202S12		2	TUBE, SILICON		1
	090A B822-202-14		2	SLEEVE		2
	100A B822-202M12		2	PIPE, FLEXIBLE METAL		1
	-110A B822-25		2	KEY FOR KEY VERSIONS ONLY		1
	-120A B822-118		2	HOLDER ASSY		1
	-130A B822-118-11		3	HOLDER		1
	-140A MS3367-2		3	TIE, CABLE		1

- ITEM NOT ILLUSTRATED



LIQUID SOAP DISPENSER  
FIGURE 1K

FIG. ITEM	PART NUMBER	AIRLINE STOCK NUMBER	QUANTITY	NOMENCLATURE	EFFECTIVE CODE	UNIT PER ASSY
01K						
-001A	B828-25-24-00		1	DISPENSER, LIQUID SOAP ENGLISH	A	RF
-002A	B828K25-24-00		1	DISPENSER, LIQUID SOAP ENGLISH, KEY VERSION	A	RF
-001B	B828-25-24-11		1	DISPENSER, LIQUID SOAP ENGLISH - GERMAN	B	RF
-002B	B828K25-24-11		1	DISPENSER, LIQUID SOAP ENGLISH - GERMAN, KEY VERSION	B	RF
-001C	B828-25-24-13		1	DISPENSER, LIQUID SOAP ENGLISH - FRENCH	C	RF
-002C	B828K25-24-13		1	DISPENSER, LIQUID SOAP ENGLISH - FRENCH, KEY VERSION	C	RF
-001D	B828-25-24-14		1	DISPENSER, LIQUID SOAP ENGLISH - SPANISH	D	RF
-002D	B828K25-24-14		1	DISPENSER, LIQUID SOAP ENGLISH - SPANISH, KEY VERSION	D	RF
-001E	B828-25-24-16		1	DISPENSER, LIQUID SOAP ENGLISH - ITALIAN	E	RF
-002E	B828K25-24-16		1	DISPENSER, LIQUID SOAP ENGLISH - ITALIAN, KEY VERSION	E	RF
-001F	B828-25-25-00		1	DISPENSER, LIQUID SOAP ENGLISH	F	RF
-002F	B828K25-25-00		1	DISPENSER, LIQUID SOAP ENGLISH, KEY VERSION	F	RF
-001G	B828-25-25-11		1	DISPENSER, LIQUID SOAP ENGLISH - GERMAN	G	RF
-002G	B828K25-25-11		1	DISPENSER, LIQUID SOAP ENGLISH - GERMAN, KEY VERSION	G	RF
-001H	B828-25-25-13		1	DISPENSER, LIQUID SOAP ENGLISH - FRENCH	H	RF
-002H	B828K25-25-13		1	DISPENSER, LIQUID SOAP ENGLISH - FRENCH, KEY VERSION	H	RF
- ITEM NOT ILLUSTRATED						

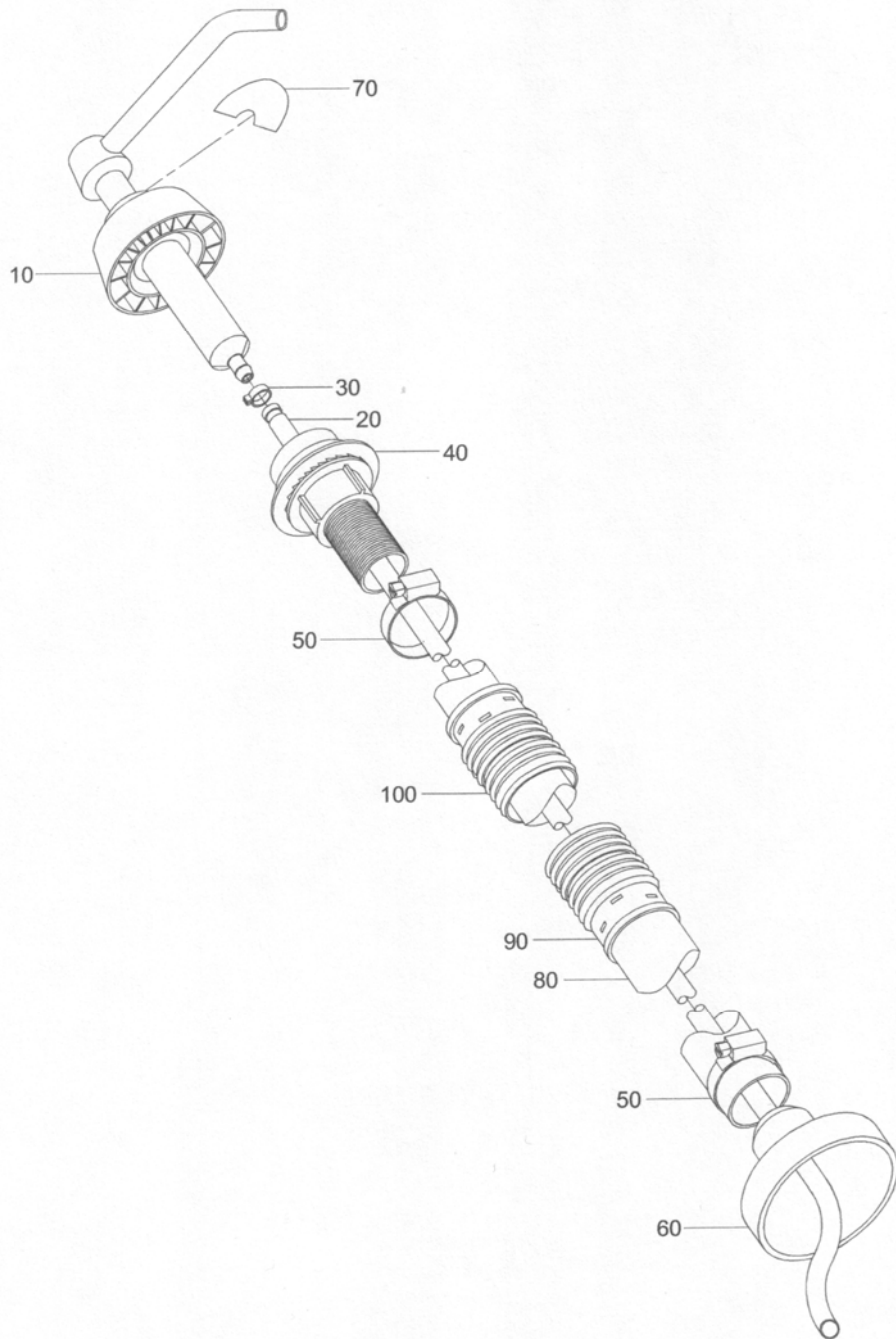
FIG. ITEM	PART NUMBER	AIRLINE STOCK NUMBER	QUANTITY	NOMENCLATURE	EFF CODE	UNIT PER ASSY
01K						
-001J	B828-25-25-14		1	DISPENSER, LIQUID SOAP ENGLISH - SPANISH	J	RF
-002J	B828K25-25-14		1	DISPENSER, LIQUID SOAP ENGLISH - SPANISH, KEY VERSION	J	RF
-001K	B828-25-25-16		1	DISPENSER, LIQUID SOAP ENGLISH - ITALIAN	K	RF
-002K	B828K25-25-16		1	DISPENSER, LIQUID SOAP ENGLISH - ITALIAN, KEY VERSION	K	RF
010A	B822-23-3		2	PISTON ASSY (SPOUT 2.5") SEE FIG. 02A FOR DET BKDN		1
-010B	B822K23-3		2	PISTON ASSY (SPOUT 2.5") KEY VERSION SEE FIG. 02A FOR DET BKDN		1
020A	B822-110-15		2	TUBE, PVC LENGTH 1140 MM, 44.88 IN	A-E	1
-020B	B822-110-16		2	TUBE, PVC LENGTH 1040 MM, 40.94 IN	F-K	1
030A	MS3367-4		2	TIE, CABLE		1
040A	B822-102-1		2	SHANK ASSY SEE FIG. 03A FOR DET BKDN		1
-040B	B822K102-1		2	SHANK ASSY - KEY VERSION SEE FIG. 03A FOR DET BKDN		1
050A	DI N3017AL2032W3		2	CLAMP OPN DI N3017AL20-32W3 OPT AN737TW44 V88044		2
060A	B822-204		2	CONTAINER, ALUMINIUM SOAP 1 L, 0.265 US GAL	A-E	1
-060B	B822-205		2	CONTAINER, ALUMINIUM SOAP 0,5 L, 0.132 US GAL	F-K	1

- ITEM NOT ILLUSTRATED



FIG. ITEM	PART NUMBER	AIRLINE STOCK NUMBER	QUANTITY	NOMENCLATURE	EFF CODE	UNIT PER ASSY
01K						
	070A B822-112-00		2	PLACARD BONDED PART ENGLISH	A, F	1
	-070B B822-112-11		2	PLACARD BONDED PART ENGLISH - GERMAN	B, G	1
	-070D B822-112-13		2	PLACARD BONDED PART ENGLISH - FRENCH	C, H	1
	-070E B822-112-14		2	PLACARD BONDED PART ENGLISH - SPANISH	D, J	1
	-070F B822-112-16		2	PLACARD BONDED PART ENGLISH - ITALIAN	E, K	1
	080A B822-202S12		2	TUBE, SILICON		1
	090A B822-202-14		2	SLEEVE		2
	100A B822-202M12		2	PIPE, FLEXIBLE METAL		1
	-110A B822-25		2	KEY FOR KEY VERSIONS ONLY		1
	-120A B822-118		2	HOLDER ASSY		1
	-130A B822-118-11		3	HOLDER		1
	-140A MS3367-2		3	TIE, CABLE		1

- ITEM NOT ILLUSTRATED



LIQUID SOAP DISPENSER  
FIGURE 1L

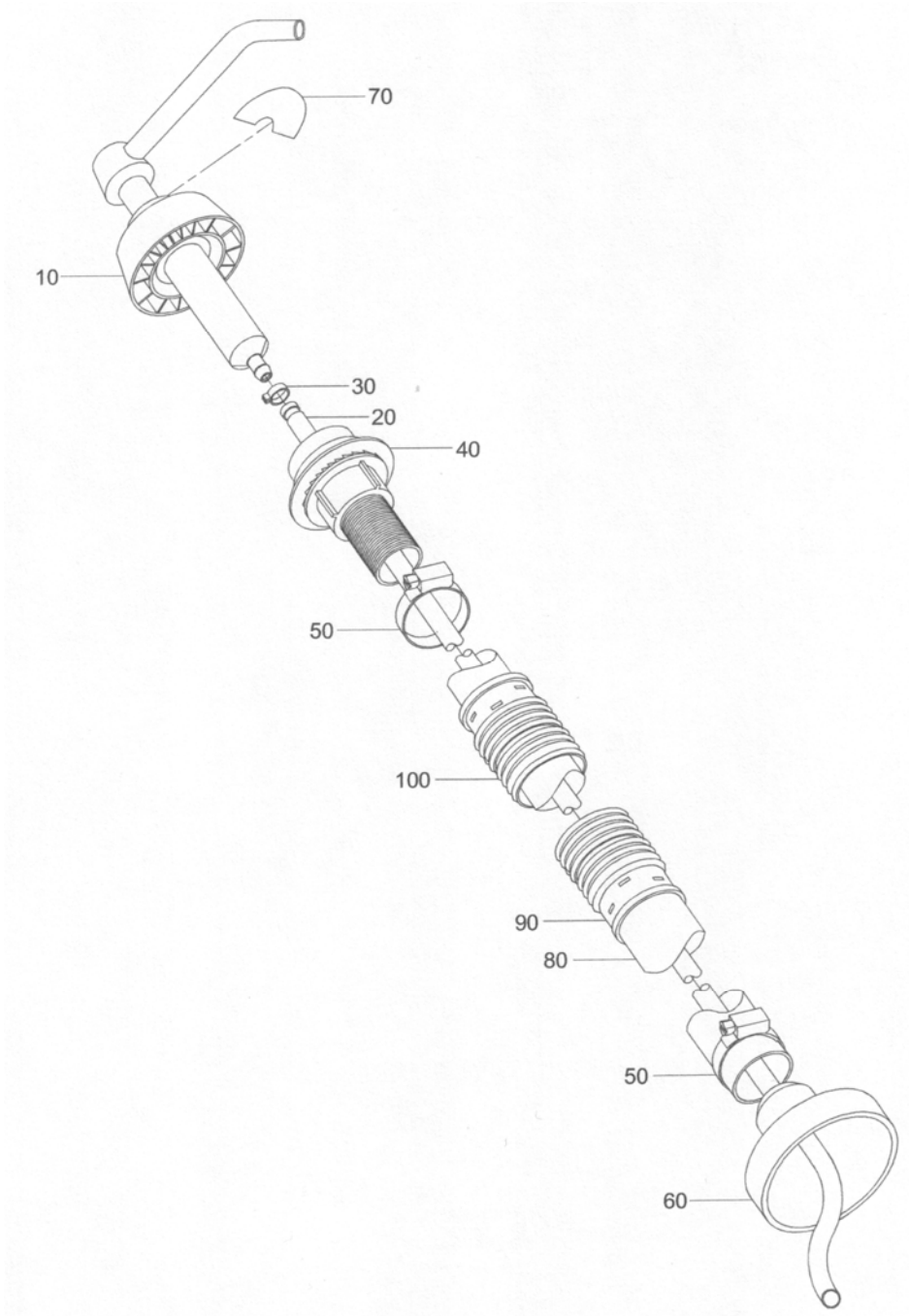
FIG. ITEM	PART NUMBER	AIRLINE STOCK NUMBER	QUANTITY	NOMENCLATURE	EFFECTIVE CODE	UNIT PER ASSY
01L						
-001A	B828-40-07-00		1	DISPENSER, LIQUID SOAP ENGLISH	A	RF
-002A	B828K40-07-00		1	DISPENSER, LIQUID SOAP ENGLISH, KEY VERSION	A	RF
-001B	B828-40-07-11		1	DISPENSER, LIQUID SOAP ENGLISH - GERMAN	B	RF
-002B	B828K40-07-11		1	DISPENSER, LIQUID SOAP ENGLISH - GERMAN, KEY VERSION	B	RF
-001C	B828-40-07-13		1	DISPENSER, LIQUID SOAP ENGLISH - FRENCH	C	RF
-002C	B828K40-07-13		1	DISPENSER, LIQUID SOAP ENGLISH - FRENCH, KEY VERSION	C	RF
-001D	B828-40-07-14		1	DISPENSER, LIQUID SOAP ENGLISH - SPANISH	D	RF
-002D	B828K40-07-14		1	DISPENSER, LIQUID SOAP ENGLISH - SPANISH, KEY VERSION	D	RF
-001E	B828-40-07-16		1	DISPENSER, LIQUID SOAP ENGLISH - ITALIAN	E	RF
-002E	B828K40-07-16		1	DISPENSER, LIQUID SOAP ENGLISH - ITALIAN, KEY VERSION	E	RF
-001F	B828-40-17-00		1	DISPENSER, LIQUID SOAP ENGLISH	F	RF
-002F	B828K40-17-00		1	DISPENSER, LIQUID SOAP ENGLISH, KEY VERSION	F	RF
-001G	B828-40-17-11		1	DISPENSER, LIQUID SOAP ENGLISH - GERMAN	G	RF
-002G	B828K40-17-11		1	DISPENSER, LIQUID SOAP ENGLISH - GERMAN, KEY VERSION	G	RF
-001H	B828-40-17-13		1	DISPENSER, LIQUID SOAP ENGLISH - FRENCH	H	RF
-002H	B828K40-17-13		1	DISPENSER, LIQUID SOAP ENGLISH - FRENCH, KEY VERSION	H	RF
-	ITEM NOT ILLUSTRATED					

FIG. ITEM	PART NUMBER	AIRLINE STOCK NUMBER	QUANTITY	NOMENCLATURE	EFF CODE	UNIT PER ASSY
01L						
-001J	B828-40-17-14		1	DISPENSER, LIQUID SOAP ENGLISH - SPANISH	J	RF
-002J	B828K40-17-14		1	DISPENSER, LIQUID SOAP ENGLISH - SPANISH, KEY VERSION	J	RF
-001K	B828-40-17-16		1	DISPENSER, LIQUID SOAP ENGLISH - ITALIAN	K	RF
-002K	B828K40-17-16		1	DISPENSER, LIQUID SOAP ENGLISH - ITALIAN, KEY VERSION	K	RF
010A	B822-23-2		2	PISTON ASSY (SPOUT 4.0") SEE FIG. 02A FOR DET BKDN		1
-010B	B822K23-2		2	PISTON ASSY (SPOUT 4.0") KEY VERSION SEE FIG. 02A FOR DET BKDN		1
020A	B822-110-20		2	TUBE, PVC LENGTH 1000 MM, 39.37 IN	A-E	1
-020B	B822-110-21		2	TUBE, PVC LENGTH 1080 MM, 42.52 IN	F-K	1
030A	MS3367-4		2	TIE, CABLE		1
040A	B822-102-1		2	SHANK ASSY SEE FIG. 03A FOR DET BKDN		1
-040B	B822K102-1		2	SHANK ASSY - KEY VERSION SEE FIG. 03A FOR DET BKDN		1
050A	DI N3017AL2032W3		2	CLAMP OPN DI N3017AL20-32W3 OPT AN737TW44 V88044		2
060A	B822-70		2	CONTAINER, ALUMINIUM SOAP 0,5 L, 0.132 US GAL	A-E	1
-060B	B822-170		2	CONTAINER, ALUMINIUM SOAP 1 L, 0.265 US GAL	F-K	1

- ITEM NOT ILLUSTRATED

FIG. ITEM	PART NUMBER	AIRLINE STOCK NUMBER	QUANTITY	NOMENCLATURE	EFF CODE	UNIT PER ASSY
01L						
	070A B822-112-00		2	PLACARD BONDED PART ENGLISH	A, F	1
	-070B B822-112-11		2	PLACARD BONDED PART ENGLISH - GERMAN	B, G	1
	-070D B822-112-13		2	PLACARD BONDED PART ENGLISH - FRENCH	C, H	1
	-070E B822-112-14		2	PLACARD BONDED PART ENGLISH - SPANISH	D, J	1
	-070F B822-112-16		2	PLACARD BONDED PART ENGLISH - ITALIAN	E, K	1
	080A B822-202S12		2	TUBE, SILICON		1
	090A B822-202-14		2	SLEEVE		2
	100A B822-202M12		2	PIPE, FLEXIBLE METAL		1
	-110A B822-25		2	KEY FOR KEY VERSIONS ONLY		1
	-120A B822-118		2	HOLDER ASSY		1
	-130A B822-118-11		3	HOLDER		1
	-140A MS3367-2		3	TIE, CABLE		1

- ITEM NOT ILLUSTRATED



LIQUID SOAP DISPENSER  
FIGURE 1M

FIG. ITEM	PART NUMBER	AIRLINE STOCK NUMBER	QUANTITY	NOMENCLATURE	EFFECTIVE CODE	UNIT PER ASSY
01M						
-001A	B828-40-24-00		1	DISPENSER, LIQUID SOAP ENGLISH	A	RF
-002A	B828K40-24-00		1	DISPENSER, LIQUID SOAP ENGLISH, KEY VERSION	A	RF
-001B	B828-40-24-11		1	DISPENSER, LIQUID SOAP ENGLISH - GERMAN	B	RF
-002B	B828K40-24-11		1	DISPENSER, LIQUID SOAP ENGLISH - GERMAN, KEY VERSION	B	RF
-001C	B828-40-24-13		1	DISPENSER, LIQUID SOAP ENGLISH - FRENCH	C	RF
-002C	B828K40-24-13		1	DISPENSER, LIQUID SOAP ENGLISH - FRENCH, KEY VERSION	C	RF
-001D	B828-40-24-14		1	DISPENSER, LIQUID SOAP ENGLISH - SPANISH	D	RF
-002D	B828K40-24-14		1	DISPENSER, LIQUID SOAP ENGLISH - SPANISH, KEY VERSION	D	RF
-001E	B828-40-24-16		1	DISPENSER, LIQUID SOAP ENGLISH - ITALIAN	E	RF
-002E	B828K40-24-16		1	DISPENSER, LIQUID SOAP ENGLISH - ITALIAN, KEY VERSION	E	RF
-001F	B828-40-25-00		1	DISPENSER, LIQUID SOAP ENGLISH	F	RF
-002F	B828K40-25-00		1	DISPENSER, LIQUID SOAP ENGLISH, KEY VERSION	F	RF
-001G	B828-40-25-11		1	DISPENSER, LIQUID SOAP ENGLISH - GERMAN	G	RF
-002G	B828K40-25-11		1	DISPENSER, LIQUID SOAP ENGLISH - GERMAN, KEY VERSION	G	RF
-001H	B828-40-25-13		1	DISPENSER, LIQUID SOAP ENGLISH - FRENCH	H	RF
-002H	B828K40-25-13		1	DISPENSER, LIQUID SOAP ENGLISH - FRENCH, KEY VERSION	H	RF
-	ITEM NOT ILLUSTRATED					

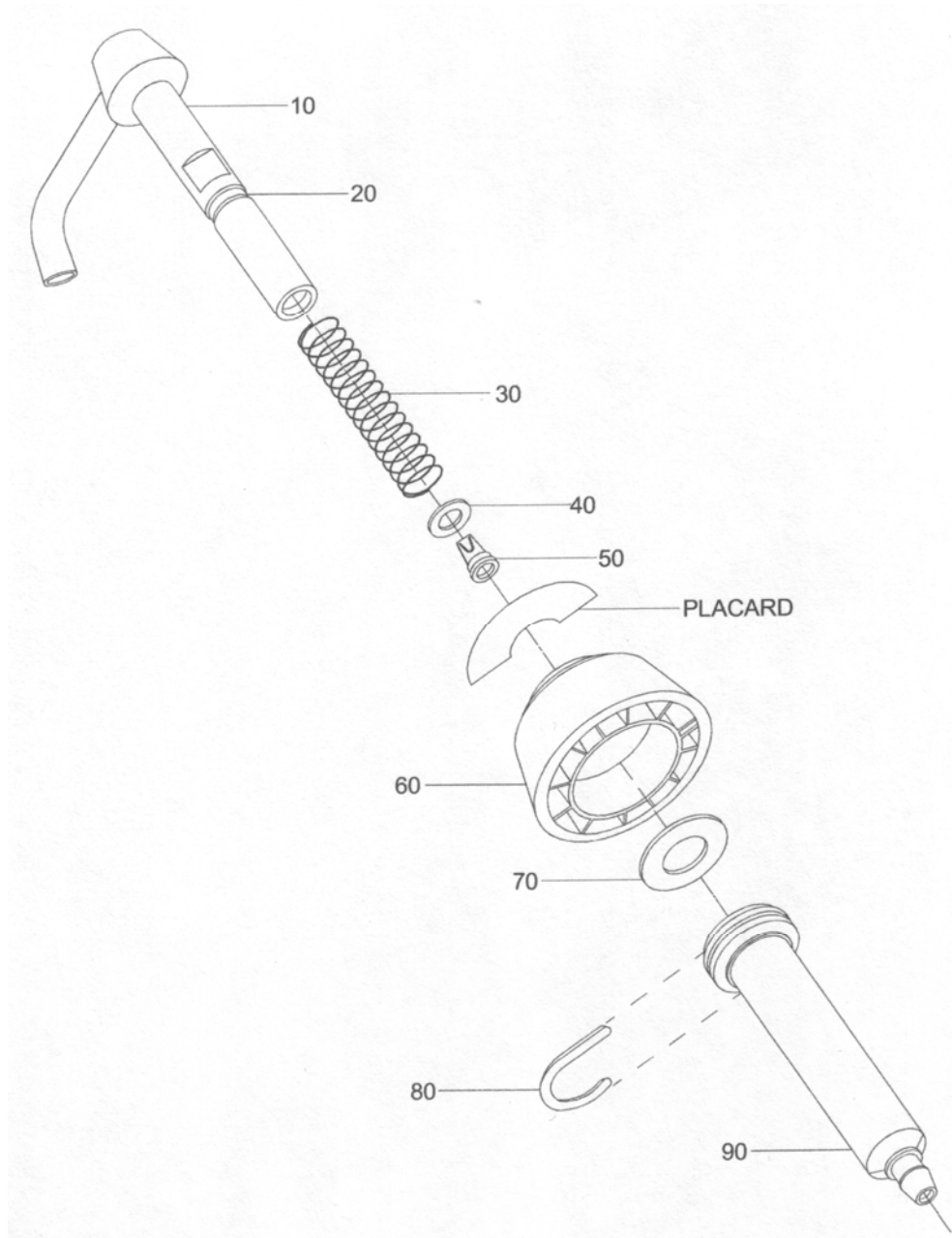
FIG. ITEM	PART NUMBER	AIRLINE STOCK NUMBER	QUANTITY	NOMENCLATURE	EFF CODE	UNIT PER ASSY
01M						
-001J	B828-40-25-14		1	DISPENSER, LIQUID SOAP ENGLISH - SPANISH	J	RF
-002J	B828K40-25-14		1	DISPENSER, LIQUID SOAP ENGLISH - SPANISH, KEY VERSION	J	RF
-001K	B828-40-25-16		1	DISPENSER, LIQUID SOAP ENGLISH - ITALIAN	K	RF
-002K	B828K40-25-16		1	DISPENSER, LIQUID SOAP ENGLISH - ITALIAN, KEY VERSION	K	RF
010A	B822-23-2		2	PISTON ASSY (SPOUT 4.0") SEE FIG. 02A FOR DET BKDN		1
-010B	B822K23-2		2	PISTON ASSY (SPOUT 4.0") KEY VERSION SEE FIG. 02A FOR DET BKDN		1
020A	B822-110-15		2	TUBE, PVC LENGTH 1140 MM, 44.88 IN	A-E	1
-020B	B822-110-16		2	TUBE, PVC LENGTH 1040 MM, 40.94 IN	F-K	1
030A	MS3367-4		2	TIE, CABLE		1
040A	B822-102-1		2	SHANK ASSY SEE FIG. 03A FOR DET BKDN		1
-040B	B822K102-1		2	SHANK ASSY - KEY VERSION SEE FIG. 03A FOR DET BKDN		1
050A	DI N3017AL2032W3		2	CLAMP OPN DI N3017AL20-32W3 OPT AN737TW44 V88044		2
060A	B822-204		2	CONTAINER, ALUMINIUM SOAP 1 L, 0.265 US GAL	A-E	1
-060B	B822-205		2	CONTAINER, ALUMINIUM SOAP 0,5 L, 0.132 US GAL	F-K	1

- ITEM NOT ILLUSTRATED



FIG. ITEM	PART NUMBER	AIRLINE STOCK NUMBER	QUANTITY	NOMENCLATURE	EFF CODE	UNIT PER ASSY
01M						
070A	B822-112-00		2	PLACARD BONDED PART ENGLISH	A, F	1
-070B	B822-112-11		2	PLACARD BONDED PART ENGLISH - GERMAN	B, G	1
-070D	B822-112-13		2	PLACARD BONDED PART ENGLISH - FRENCH	C, H	1
-070E	B822-112-14		2	PLACARD BONDED PART ENGLISH - SPANISH	D, J	1
-070F	B822-112-16		2	PLACARD BONDED PART ENGLISH - ITALIAN	E, K	1
080A	B822-202S12		2	TUBE, SILICON		1
090A	B822-202-14		2	SLEEVE		2
100A	B822-202M12		2	PIPE, FLEXIBLE METAL		1
-110A	B822-25		2	KEY FOR KEY VERSIONS ONLY		1
-120A	B822-118		2	HOLDER ASSY		1
-130A	B822-118-11		3	HOLDER		1
-140A	MS3367-2		3	TIE, CABLE		1

- ITEM NOT ILLUSTRATED



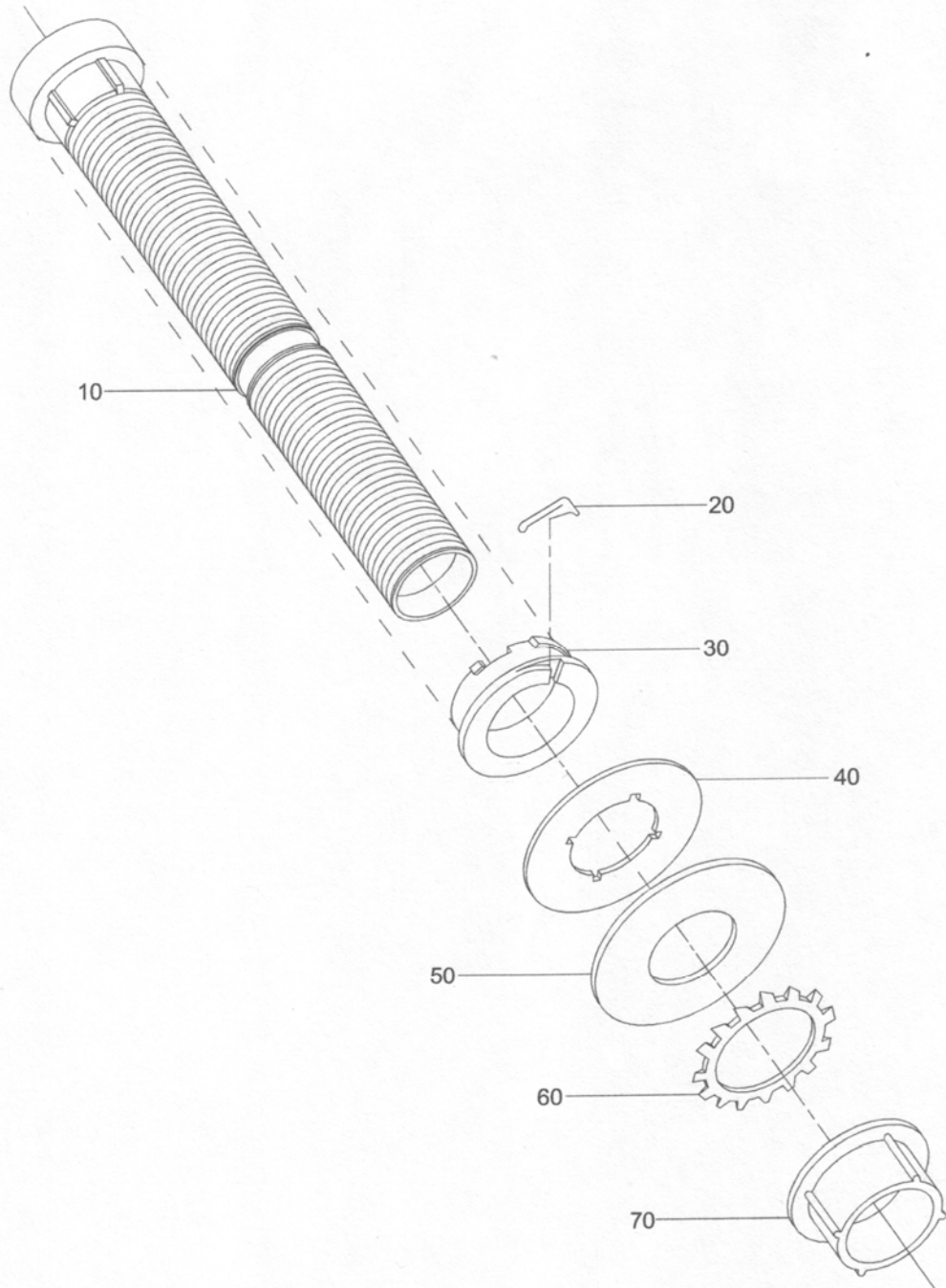
PISTON ASSY  
FIGURE 2A

FIG. ITEM	PART NUMBER	AIRLINE STOCK NUMBER	ID	NOMENCLATURE	EFF CODE	UNIT PER ASSY
02A	-001A	B822-23-2	1	PISTON ASSY (SPOUT 4.0") SEE FIG. 01C FOR NHA SEE FIG. 01D FOR NHA SEE FIG. 01G FOR NHA SEE FIG. 01H FOR NHA SEE FIG. 01I FOR NHA SEE FIG. 01L FOR NHA SEE FIG. 01M FOR NHA	A	RF
	-001C	B822K23-2	1	PISTON ASSY (SPOUT 4.0") KEY VERSION SEE FIG. 01C FOR NHA SEE FIG. 01D FOR NHA SEE FIG. 01G FOR NHA SEE FIG. 01H FOR NHA SEE FIG. 01I FOR NHA SEE FIG. 01L FOR NHA SEE FIG. 01M FOR NHA	C	RF
	-001B	B822-23-3	1	PISTON ASSY (SPOUT 2.5") SEE FIG. 01A FOR NHA SEE FIG. 01B FOR NHA SEE FIG. 01E FOR NHA SEE FIG. 01F FOR NHA SEE FIG. 01J FOR NHA SEE FIG. 01K FOR NHA	B	RF

- ITEM NOT ILLUSTRATED

FIG. ITEM	PART NUMBER	AIRLINE STOCK NUMBER	QTY	NOMENCLATURE	EFF CODE	UNIT PER ASSY
02A						
-001D	B822K23-3		1	PISTON ASSY (SPOUT 2.5") KEY VERSION SEE FIG. 01A FOR NHA SEE FIG. 01B FOR NHA SEE FIG. 01E FOR NHA SEE FIG. 01F FOR NHA SEE FIG. 01J FOR NHA SEE FIG. 01K FOR NHA	D	RF
010A	B822-23-22		2	PISTON PISTON LENGTH 4.0 INCH	A, C	1
-010B	B822-23-23		2	PISTON PISTON LENGTH 2.5 INCH	B, D	1
020A	B822-23-38		2	O-RING		1
030A	B822-23-83		2	SPRING		1
040A	B822-23-30		2	WASHER		1
050A	B822-119-98		2	VALVE, DUCK		1
060A	B822-23-65		2	COVER		1
-060A	B822K23-65		2	COVER - KEY VERSION		1
070A	B822-23-17		2	WASHER, ADJUSTING		1
080A	B822-23-15		2	GUIDE, KEY		1
090A	B822-23-12		2	CYLINDER		1

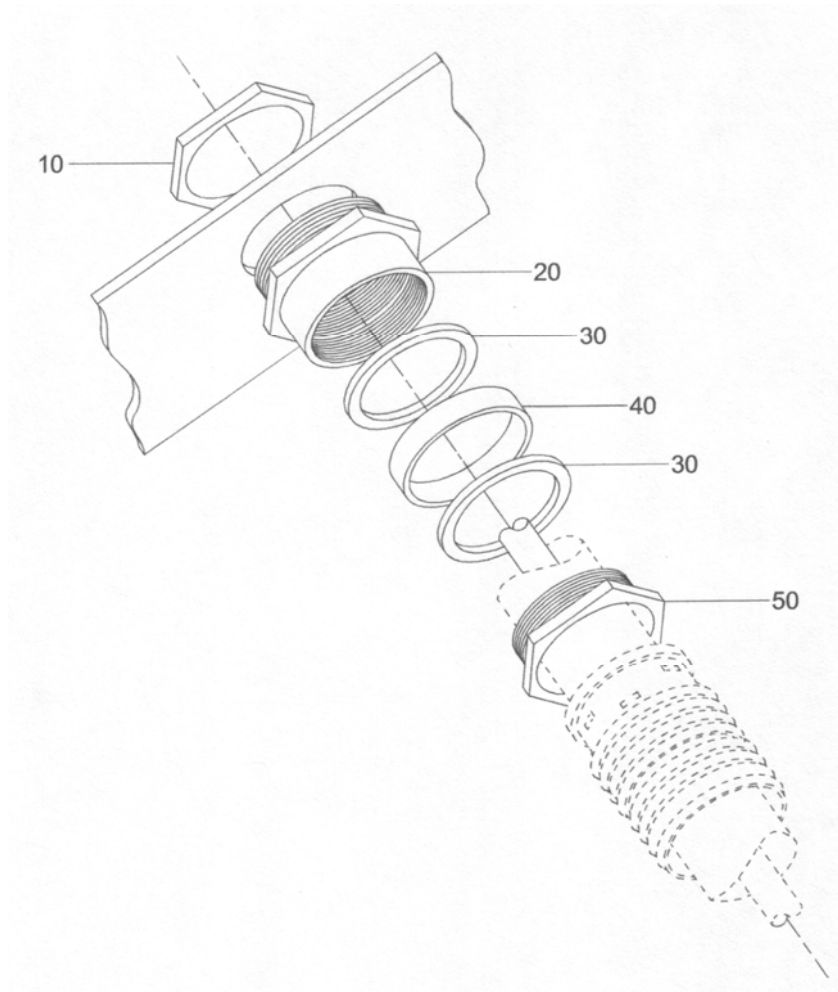
- ITEM NOT ILLUSTRATED



SHANK ASSY  
FIGURE 3A

FIG. ITEM	PART NUMBER	AIRLINE STOCK NUMBER	QUANTITY	NOMENCLATURE	EFFECTIVE CODE	UNIT PER ASSY
03A						
-001A	B822-102-1		1	SHANK ASSY SEE FIG. 01A - 01M FOR NHA	A	RF
-001B	B822K102-1		1	SHANK ASSY - KEY VERSION SEE FIG. 01A - 01M FOR NHA	B	RF
010A	B822-102-11		2	SHANK		1
020A	B822-102-12		2	SPRING	A	1
-020B	B822K102-12		2	Spring - KEY VERSION	B	1
030A	B822-102-13		2	RING, LOCK		1
040A	B822-102-14		2	WASHER, METAL		1
050A	B822-102-15		2	WASHER, RUBBER		1
060A	DI N6797A25A2A		2	WASHER, TOOTH LOCK		1
070A	B822-102-16		2	NUT, RETAINING		1

- ITEM NOT ILLUSTRATED



WASTE BOX INSTALLATION KIT  
FIGURE 4A

FIG. ITEM	PART NUMBER	AIRLINE STOCK NUMBER	QTY	NOMENCLATURE	EFF CODE	UNIT PER ASSY
04A						
-001A	B822-201		1	KIT, WASTE BOX INSTL. ORDER SEPERATELY		RF
010A	B822-201-13		2	NUT		1
020A	B822-201-11		2	FLANGE		1
030A	B822-201-14		2	RING		2
040A	B822-201-15		2	SEAL		1
050A	B822-201-12		2	NUT		1

- ITEM NOT ILLUSTRATED





**COMPONENT MAINTENANCE MANUAL**  
**SOAP DISPENSERS**  
**SEIFENSPENDER**  
**B82X SERIES**

No. : 25-40-01

Issue: D

Date: May 02/2022

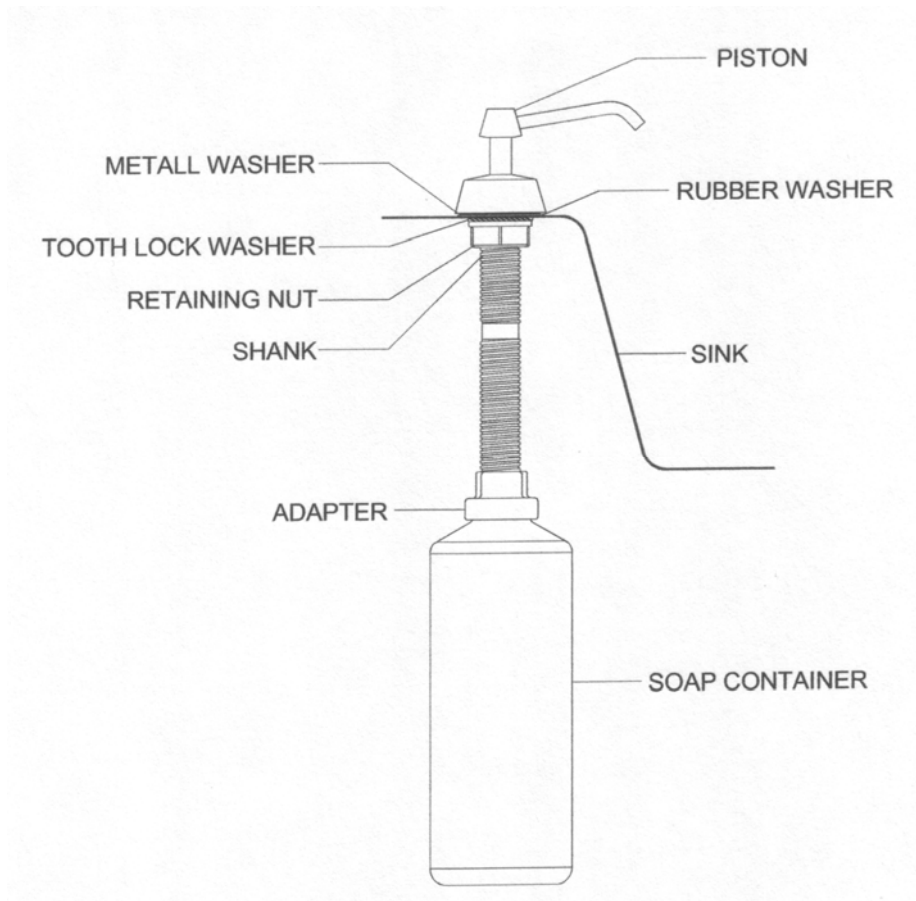
SPECIAL PROCEDURES

1. NOT APPLICABLE

REMOVAL

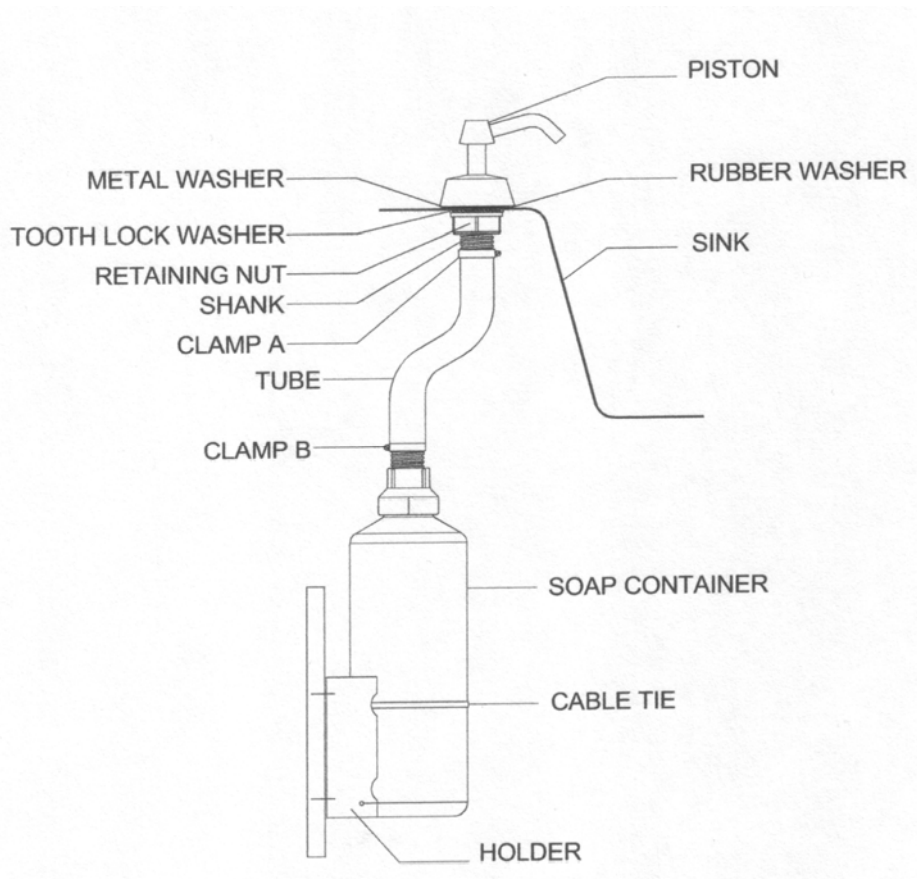
A. Procedure

- (1) Removal of Unit PN B822 Series (Ref. Fig. 12001)
  - (a) Unscrew adapter from soap container.
  - (b) Remove retaining nut from shank assy.
  - (c) Remove tooth lock washer.
  - (d) Remove piston assy together with shank and tube from cabinet.



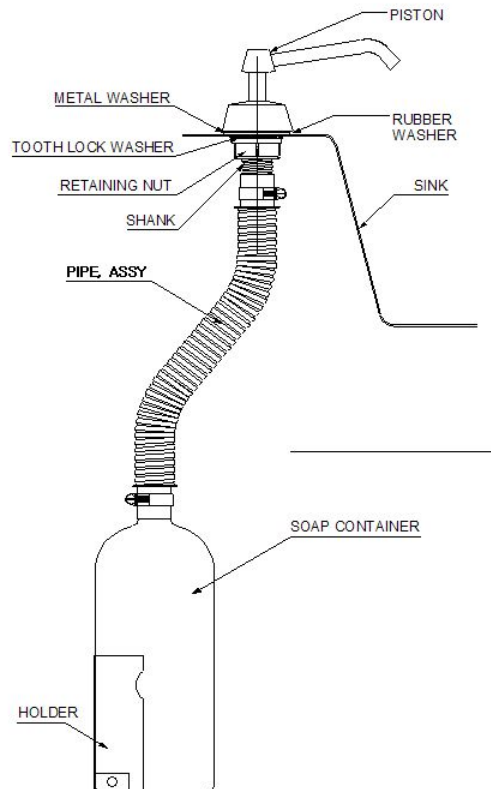
REMOVAL OF B822 SERIES  
FIGURE 12001

- (e) Remove metal washer and rubber washer.
- (2) Removal of Unit PN B823 Series (Ref. Fig. 12002)
  - (a) Loosen clamp (B).
  - (b) Remove soap container with adapter with lower part of shank from tube.
  - (c) Loosen clamp (A) and remove tube from upper part of shank.
  - (d) Remove retaining nut and tooth lock washer.



REMOVAL OF B823 SERIES  
FIGURE 12002

- (e) Remove piston assy together with upper part of shank and tube from cabinet.
  - (f) Remove metal washer and rubber washer.
- (3) Removal of Unit PN B825 Series  
See removal of Unit PN B828 Series below.
- (4) Removal of Unit PN B828 Series (Ref. Fig. 12003)
- (a) Loosen clamp (B).
  - (b) Remove soap container from tube.
  - (c) Loosen clamp (A) and remove tube from upper part of shank.
  - (d) Remove retaining nut and tooth lock washer.

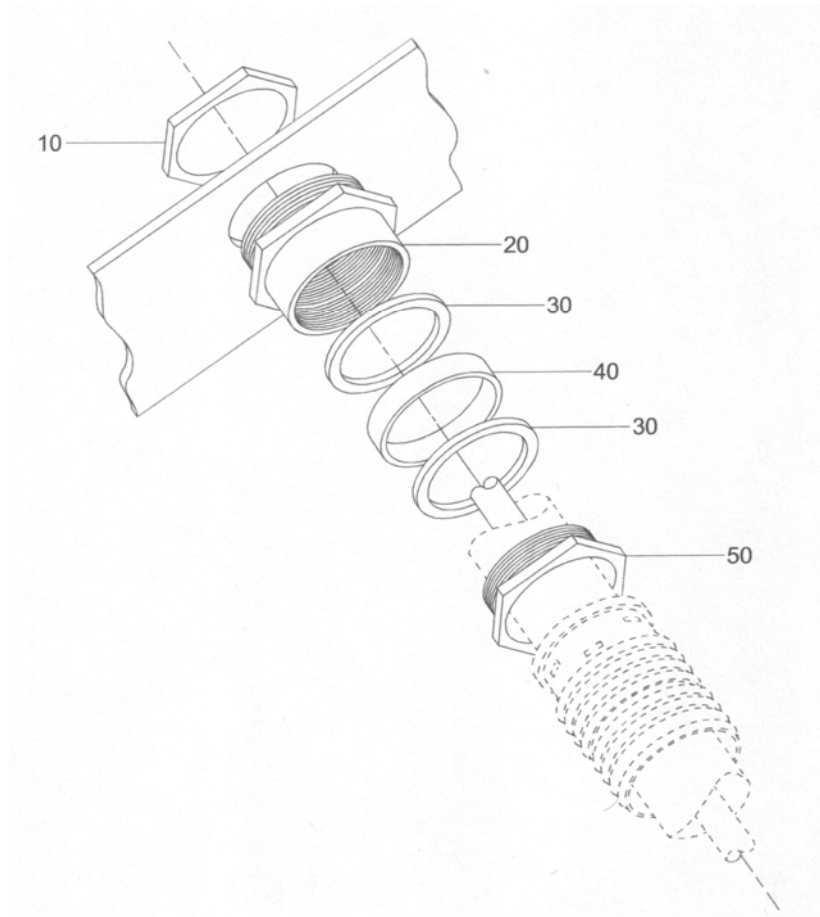


REMOVAL OF B828 SERIES  
FIGURE 12003

- (e) Remove piston assy together with upper part of shank and tube from cabinet.
- (f) Remove metal washer and rubber washer.
- (g) Discard rubber washer.

NOTE: If the soap container is installed in the waste box, do the following steps (Ref. to Fig. 12004).

- (h) Loosen nut (10) and remove flange (20), ring (30), seal (40) and nut (50) from waste box.



WASTE BOX INSTALLATION  
FIGURE 12004

INSTALLATION

WARNING: IN ORDER TO GUARANTEE MAXIMUM PERFORMANCE OF LIQUID SOAP DISPENSER LIQUID SOAP MUST HAVE A VISCOSITY < 30 MPA/S, NACL-SHARE < 1 % AND BE FREE OF ALCOHOL AND AROMATIC COMPOUNDS. WE RECOMMEND TO USE ONLY THE ORIGINAL SOAP APPROVED BY CBS - CARSTEN DAUS GMBH.

A. List of Materials

NOTE: Equivalent substitutes can be used for listed items.

MATERIAL	SPECIFICATION	SOURCE
SEALANT	ELASTOSIL E43	LOCAL PURCHASE
RUBBER WASHER	B822-102-15	CBS - CARSTEN DAUS GMBH
TOOTH LOCK WASHER	DI N6797A25A2A	LOCAL PURCHASE OR CBS

INSTALLATION MATERIALS  
 TABLE 13001

B. General

NOTE: Before first installation, the location has to be chosen taking into consideration the available space needed to install all parts into the cabinet surface. The diameter of the mounting hole must be 25 mm (1.0 in.)

- (1) The adapter and retaining nut can be secured to the shank after installation and before tightening by applying sealant (Elastosil E43) to the upper and lower thread windings of the shank but if sealant has been applied retaining nut cannot be removed without distortion.

- (2) The distance between soap container and piston assy can be varied by cutting shank in the threaded section.

(a) Unit PN B822 Series (Ref. IPL, Fig. 1A to 1D)

NOTE: It is possible to modify the B822 into B823 by cutting the shank in the unthreaded section (65 mm (2.56 in.)). Both parts can be linked by a PVC-tube in variable length.

NOTE: If the unit is modified, the PVC-tube (20) must be replaced and notched at the end.

1 Shank can be shortened up to max. 90 mm (3.54 in.), it is recommended to cut the shank in the unthreaded section (65 mm (2.56 in.)).

NOTE: Examine that the surface of cut is plane.

(b) Unit PN B823 Series (Ref. IPL, Fig. 1E, 1F, 1G and 1H)

NOTE: If you discard the PVC-tube and lower part of the shank and if you screw the adapter to upper part of the shank B823 is modified to B822 with the shortened shank.

1 Tube can be shortened (original length 900 mm (35.4 in.)).

NOTE: If the unit is modified, the PVC-tube (20) must be replaced and notched at the end.

### C. Procedure

(1) Installation of Unit PN B822 Series (Ref. Fig. 13001)

WARNING: IN ORDER TO GUARANTEE MAXIMUM PERFORMANCE OF LIQUID SOAP DISPENSER LIQUID SOAP MUST HAVE A VISCOSITY < 30 MPA/S, NACL-SHARE < 1 % AND BE FREE OF ALCOHOL AND AROMATIC COMPOUNDS. WE RECOMMEND TO USE ONLY THE ORIGINAL SOAP APPROVED BY CBS - CARSTEN DAUS GMBH.

- (a) Install metal washer and rubber washer onto shank.
- (b) Insert piston assy together with shank into the mounting hole of the cabinet.

NOTE: Ensure that the outlet of the piston extends over the sink and that it remains in position during further installation. If shank is to be installed without piston and spout, ensure that the spring in the lock is lined up with the expected outlet direction.

- (c) Install tooth lock washer and retaining nut onto shank.

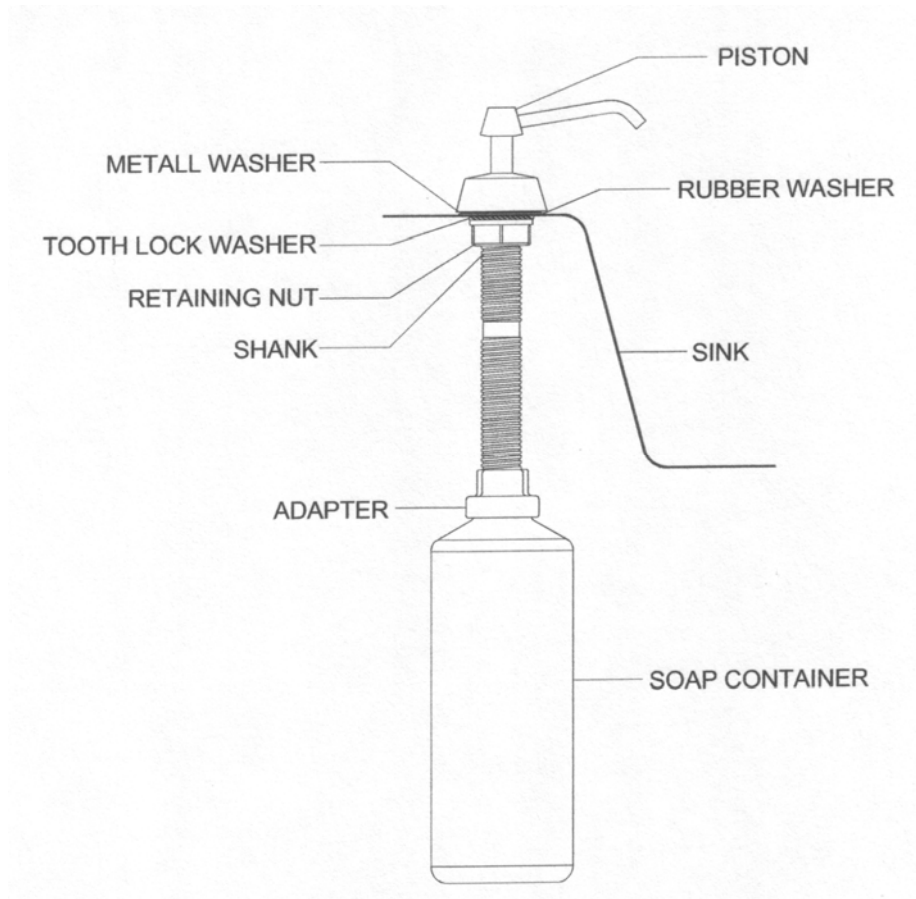
CAUTION: TO PREVENT DAMAGE TO SHANK ASSY, DURING FASTENING RETAINING NUT, USE NOT TOO MUCH POWER. TORQUE VALUE IS 15,00 NM (11.06 l.b.ft.).

- (d) Tighten up retaining nut hand tight.
- (e) Install soap container with adapter onto shank.

NOTE: Apply sealant (Elastosil E43) for the soap container installation.

(f) Tighten up adapter and soap container hand tight.

NOTE: For filling the unit refer to chapter SERVISING.



INSTALLATION OF B822 SERIES  
FIGURE 13001



(2) Installation of Unit PN B823 Series (Ref. Fig. 13002)

WARNING: IN ORDER TO GUARANTEE MAXIMUM PERFORMANCE OF LIQUID SOAP DISPENSER LIQUID SOAP MUST HAVE A VISCOSITY < 30 MPA/S, NAACL-SHARE < 1 % AND BE FREE OF ALCOHOL AND AROMATIC COMPOUNDS. WE RECOMMEND TO USE ONLY THE ORIGINAL SOAP APPROVED BY CBS - CARSTEN DAUS GMBH.

- (a) Install metal washer and rubber washer onto shank.
- (b) Insert the piston assy together with upper part of the shank and PVC-tube into the mounting hole of the cabinet.

NOTE: Ensure that the outlet of the piston extends over the sink and that it remains in position during further installation. If shank is to be installed without piston and spout, ensure that the spring in the lock ring is lined up with the expected outlet direction.

- (c) Install the tooth lock washer and the retaining nut onto the shank.

CAUTION: TO PREVENT DAMAGE TO SHANK ASSY, DURING FASTENING RETAINING NUT, USE NOT TOO MUCH POWER. TORQUE VALUE IS 15,00 NM (11.06 lbf. ft.).

- (d) Tighten up retaining nut hand tight.
- (e) Install the clamp (A) and the PVC-tube on upper part of the shank.
- (f) Install the holder into the cabinet.

NOTE: If holder is to be installed for the first time, mounting holes with a diameter of 5 mm (0.19 in.) must be drilled. Use appropriate screws taking into consideration the material and thickness of the wall.

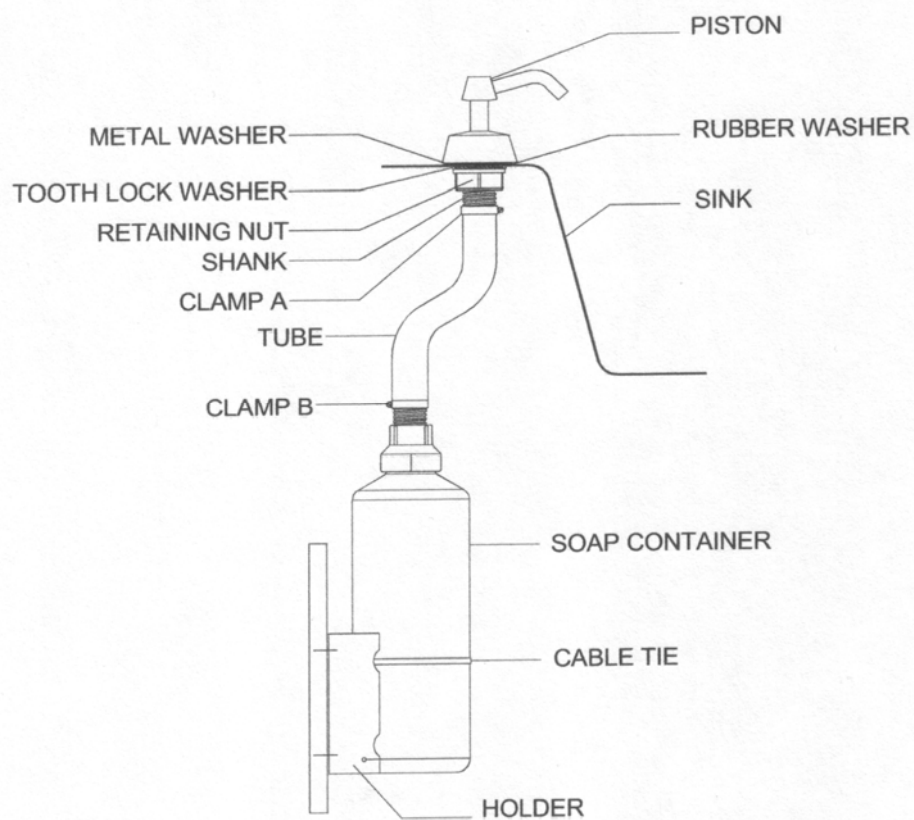
- (g) Install and secure lower part of shank onto adapter and install both together onto soap container.

NOTE: Apply sealant (Elastosil E43) for the soap container installation.

- (h) Tighten up adapter and soap container hand tight.
- (i) Install the equipped soap container on the PVC-tube with the clamp (B).

(j) Secure the soap container with the cable tie on the holder.

NOTE: For filling the unit refer to chapter SERVICING.



INSTALLATION OF B823 SERIES  
FIGURE 13002

- (3) Installation of Unit PN B825 Series (Ref. Fig. 13003)  
See installation of Unit PN B828 Series below.

- (4) Installation of Unit PN B828 Series (Ref. Fig. 13003)

WARNING: IN ORDER TO GUARANTEE MAXIMUM PERFORMANCE OF LIQUID SOAP DISPENSER LIQUID SOAP MUST HAVE A VISCOSITY < 30 MPA/S, NACL-SHARE < 1 % AND BE FREE OF ALCOHOL AND AROMATIC COMPOUNDS. WE RECOMMEND TO USE ONLY THE ORIGINAL SOAP APPROVED BY CBS - CARSTEN DAUS GMBH.

- (a) Install metal washer and rubber washer onto shank.  
(b) Insert the piston assy together with upper part of the shank and PVC-tube into the mounting hole of the cabinet.

NOTE: Ensure that the outlet of the piston extends over the sink and that it remains in position during further installation. If shank is to be installed without piston and spout, ensure that the spring in the lock ring is lined up with the expected outlet direction.

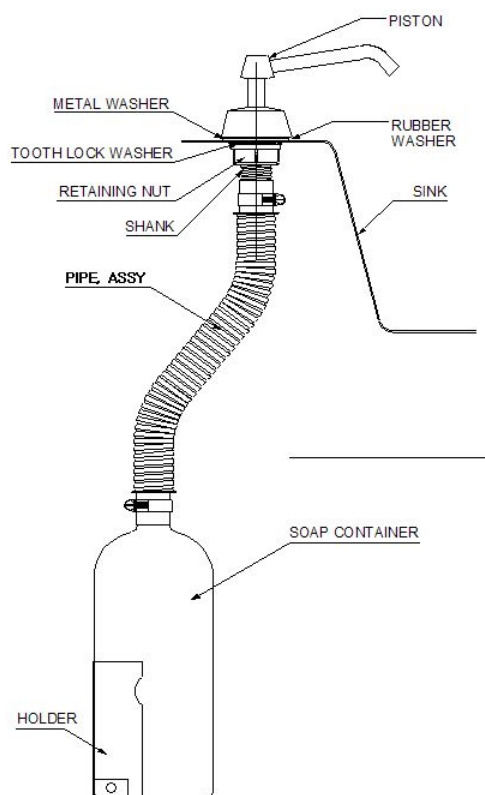
- (c) Install the tooth lock washer and the retaining nut onto the shank.

CAUTION: TO PREVENT DAMAGE TO SHANK ASSY, DURING FASTENING RETAINING NUT, USE NOT TOO MUCH POWER. TORQUE VALUE IS 15,00 NM (11.06 lbf. ft.).

- (d) Tighten up retaining nut hand tight.  
(e) Attach the silicon-tube together with sleeves and flexible metal pipe with the clamp "A" to the shank.  
(f) Install the holder into the cabinet.

NOTE: If holder is to be installed for the first time, mounting holes with a diameter of 5 mm (0.19 in.) must be drilled. Use appropriate screws taking into consideration the material and thickness of the wall.

- (g) Put soap container in position.
- (h) Secure the soap container with the cable tie to the holder.
- (i) Attach the silicon-tube together with sleeves and flexible metal pipe with the clamp "B" to the soap container.

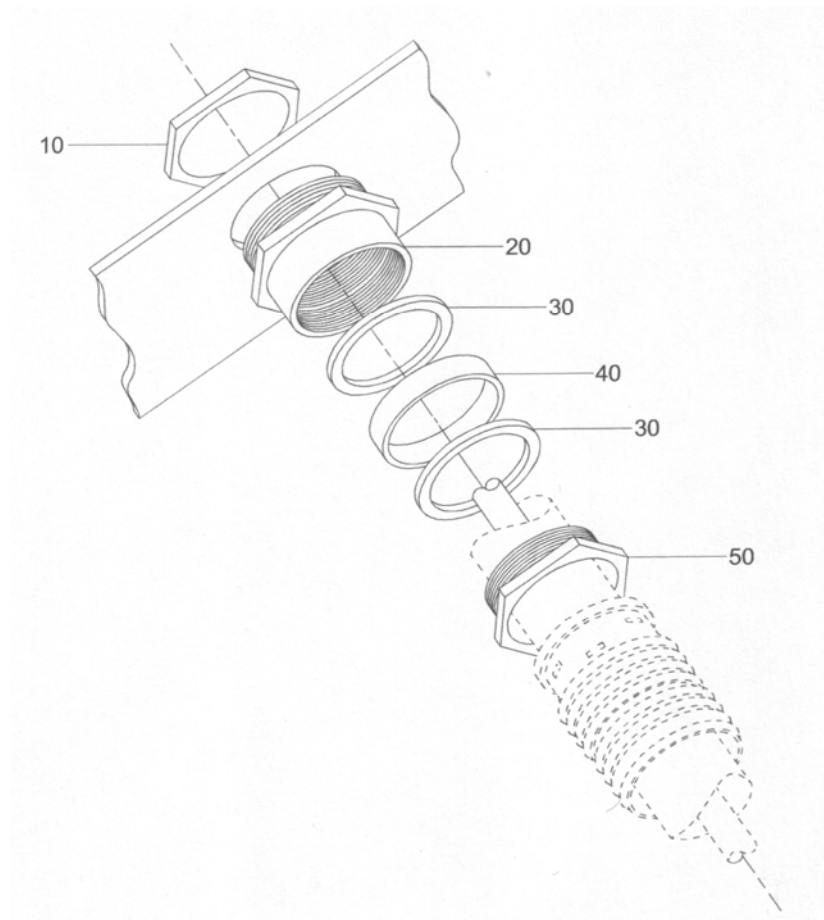


INSTALLATION OF B828 SERIES  
FIGURE 13003

NOTE: If the soap container is installed in the waste box, do the following steps (Ref to Fig. 11004).

- (j) Install the waste box installation kit together with the flexible tube (flexible metal pipe, silicon tube and sleeves) into the waste box structure.

CAUTION: FLEXIBLE METAL PIPE AND SILICON TUBE ARE MATCHED PARTS AND SHOULD NOT BE SEPARATED.



INSTALLATION OF WASTE BOX KIT  
FIGURE 13004

## SERVICING

### 1. REFILLING

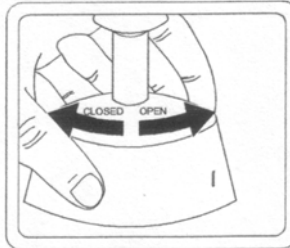
WARNING: IN ORDER TO GUARANTEE MAXIMUM PERFORMANCE OF LIQUID SOAP DISPENSER LIQUID SOAP MUST HAVE A VISCOSITY < 30 MPA/S, NACL-SHARE < 1% AND BE FREE OF ALCOHOL AND AROMATIC COMPOUNDS. WE RECOMMEND TO USE ONLY THE ORIGINAL APPROVED SOAP P/N 83-182/OX MANUFACTURED BY CBS - CARSTEN DAUS GMBH.

The unit shall be refilled without removal of the soap container.

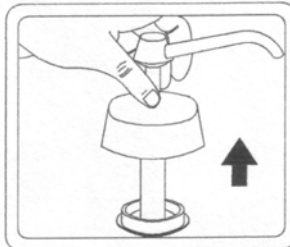
#### A. Procedure

- (1) Turn cover counter clockwise approx. 1/8 turn until cover has been released from shank.
- (2) Lift piston assy with PVC-tube from the shank.
- (3) Refill soap container with liquid soap through the shank.
- (4) Attach piston assy with PVC-tube to the shank.
- (5) Secure cover by turning clockwise until it stops.

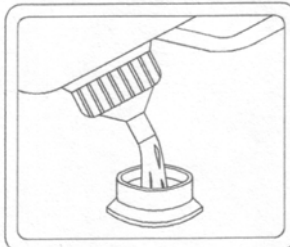
**TURN**



**LIFT**



**FILL**



REFILLING OF SOAP CONTAINER  
FIGURE 14001

STORAGE

1. GENERAL

A. Storage Instructions

- (1) Place unit in a suitable cardboard box and identify on the outer surface.
- (2) Store in a dry room.